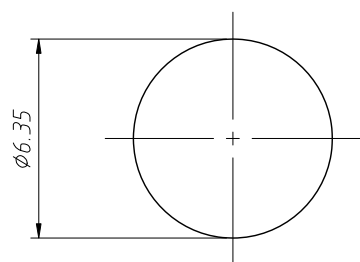
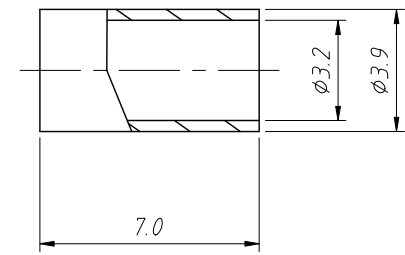
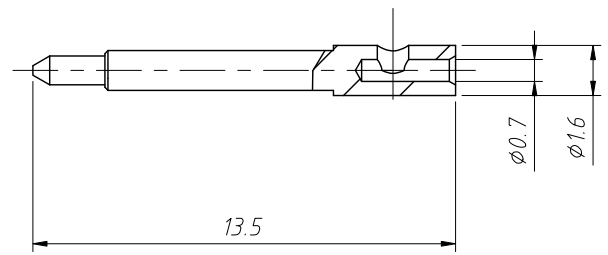
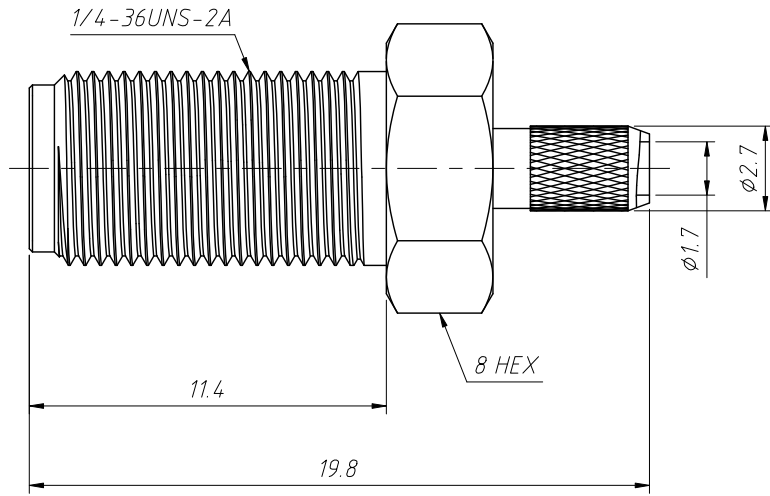
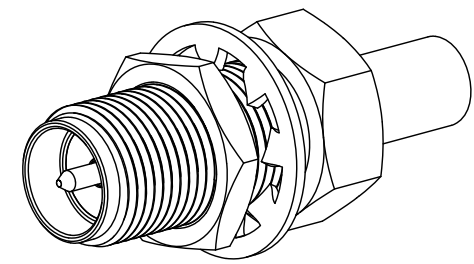
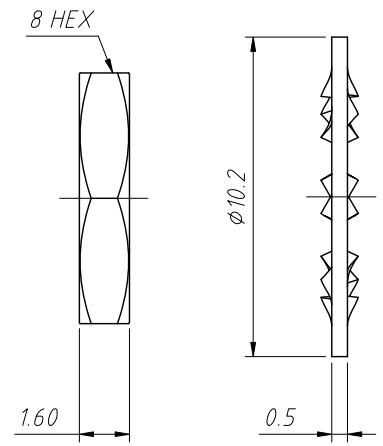


RoHS Compliance



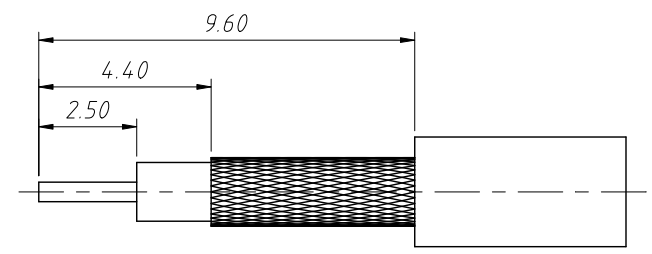
Recommended Mounting Hole



**Material:**  
 Body: Brass, Gold Plating  
 Contact Pin: Brass, Gold Plating  
 Insulator: PTFE, Natural

**Electrical Specifications:**  
 Impedance: 50Ω  
 Frequency Range: 0-6 GHz  
 VSWR : 1.3 Max.  
 Dielectric Withstanding Voltage: 1000 VRMS.Min.

**Mechanical Specifications:**  
 Durability: 500 Cycles Min.  
 Temperature Range: -65°C to +165°C



Recommended Cable Stripping Dims

ANGLE TOLERANCE	PROJECTION	Description:	Panel Mount SMA Cable Connector Straight (Jack, Male, 50Ω)
±3°			
GENERAL TOLERANCE	UNITS	mm	KLS P/N: L-KLS1-SMA137A
x.x ±0.30	SHEET SIZE	A4	
x.xx ±0.20	Draw:	Daniel	2020-11-11
x.xxx ±0.10	Check:	Daniel	2020-11-11

