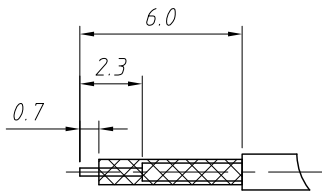
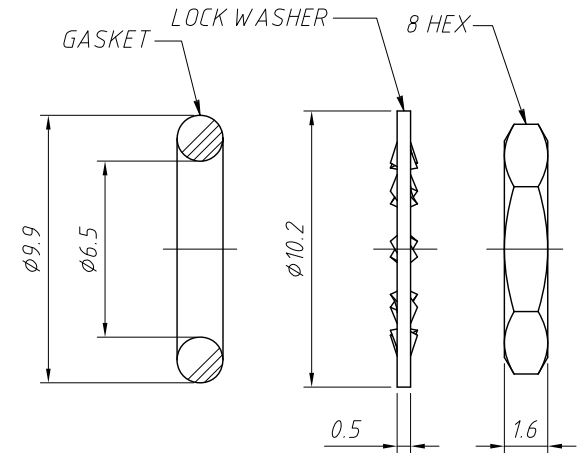
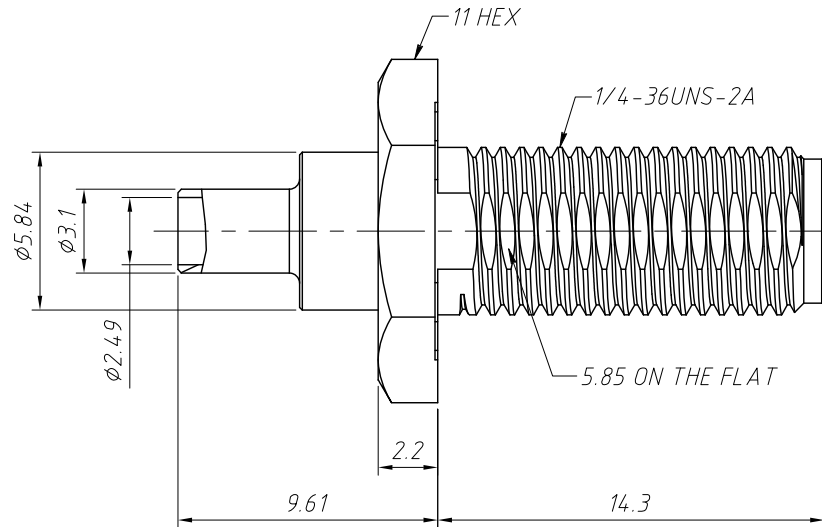
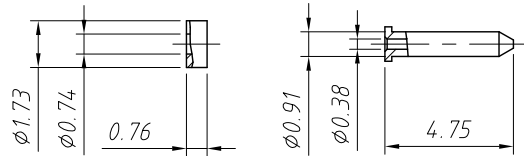
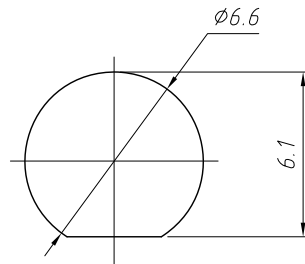


1 RoHS Compliance



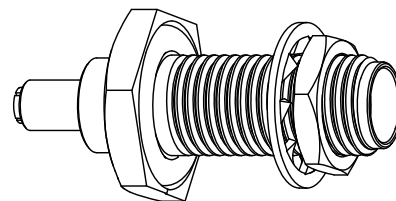
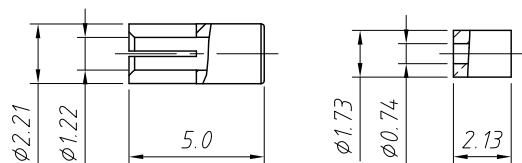
RECOMMENDED CABLE STRIPPING DIMS



RECOMMENDED MOUNTING HOLE

Material:
 Body:Brass,Gold Plating
 O-Ring:Silicone Rubber,Red
 Contact:Brass,Gold Plating
 Insulator:PTFE,Natural
 Contact:Ber.Copper,Gold Plating
 Sleeve:Brass,Gold Plating
 Inner Ferrule:Brass,Gold Plating
 Gasket:Silicone Rubber,Red
 Lock Washer:Brass,Gold Plating
 HEX Nut:Brass,Gold Plating

Electrical:
 Impedance:50Ω
 Frequency Range:0-6 GHz
 VSWR (Return Loss): 1.28 (18.22 dB) Max
 D.W.V:250 VRMS. MIN.
Mechanical:
 Durability:500 Cycles Min.
 Temperature Range:-65°C to +165°C
 Crimped Ferrule HEX Crimp
 Contact Pin To Solder
 Max. Panel Thickness= 5.95 mm



ANGLE TOLERANCE	PROJECTION	Description:	Panel Mount SMA Cable Connector Straight (Jack,Female,50Ω)	
±3°				
GENERAL TOLERANCE	UNITS	mm	KLS P/N:	L-KLS1-SMA125
x.x ±0.30	SHEET SIZE	A4		
x.xx ±0.20	Draw:	Daniel	2020-11-11	NingBo KLS ELECTRONIC CO.,L TD.
x.xxx ±0.10	Check:	Daniel	2020-11-11	