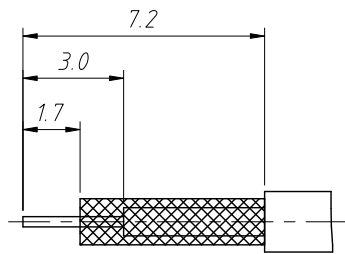
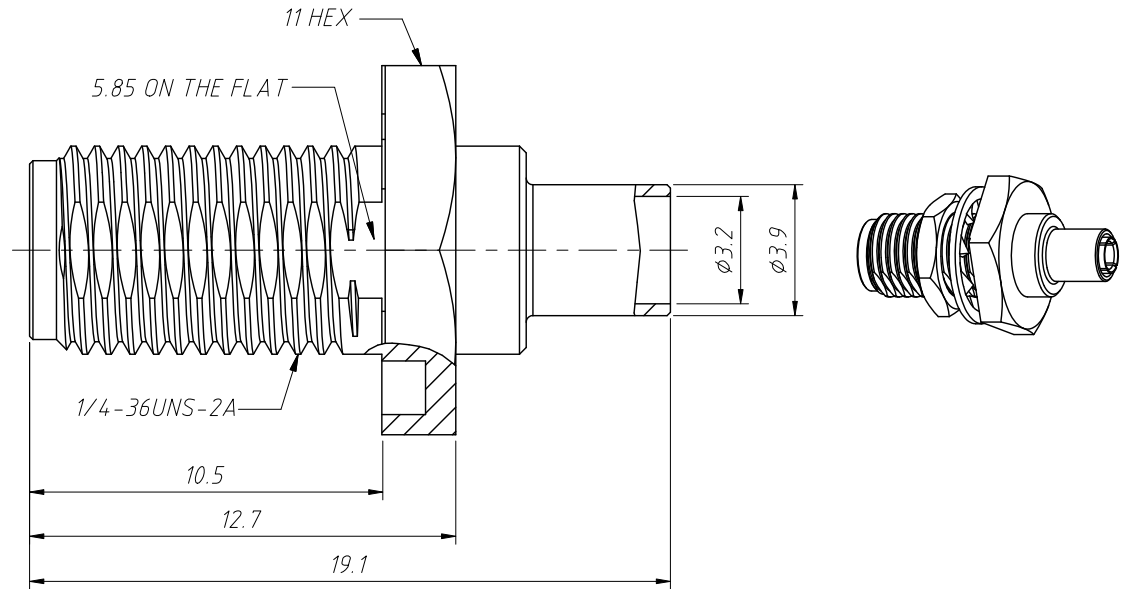
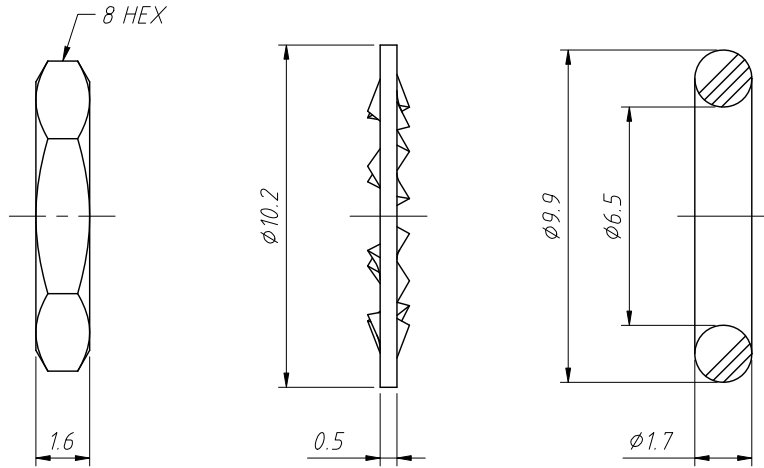
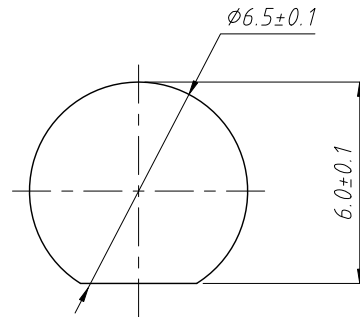


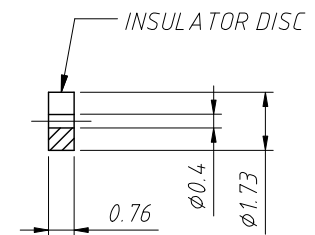
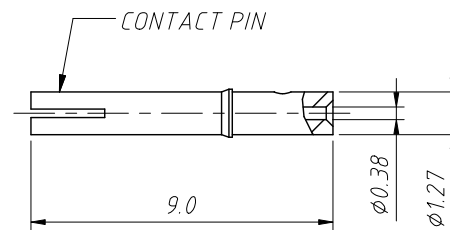
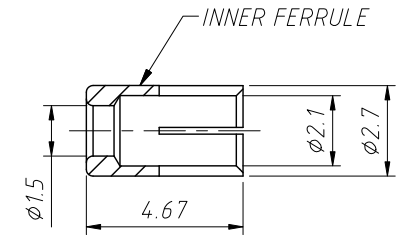
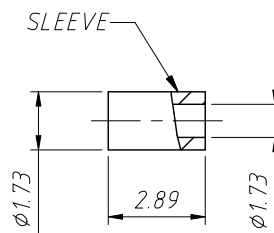
1 RoHS Compliance



RECOMMENDED CABLE STRIPPING DIMS



RECOMMENDED MOUNTING HOLE



Material:
 Body: Brass, Gold Plating
 Insulator: PTFE, Natural
 Contact: Ber. Copper, Gold Plating
 Lock Washer: Brass, Gold Plating
 HEX Nut: Brass, Gold Plating
 Gasket: Silicone Rubber, Red
 Ferrule: Copper, Gold Plating
 Sleeve: Brass, Gold Plating
 Inner Ferrule: Brass, Gold Plating

Electrical:
 Impedance: 50Ω
 Frequency Range: 0-6 GHz
 VSWR (Return Loss): 1.3 (-17.700 dB) Max. @ DC-3 GHz
 D.W.V: 1000 VRMS. MIN.

Mechanical:
 Durability: 500 Cycles Min.
 Temperature Range: -65°C to +165°C
 Crimped Ferrule HEX Crimp
 Solder Contact Pin To Cable Center Conductor
 Max. Panel Thickness = 3.2 mm

ANGLE TOLERANCE	PROJECTION	Description:	Panel Mount SMA Cable Connector Straight (Jack, Female, 50Ω)	
$\pm 3^\circ$				
GENERAL TOLERANCE	UNITS	mm	KLS P/N:	L-KLS1-SMA123
x.x ± 0.30	SHEET SIZE	A4		
x.xx ± 0.20	Draw:	Daniel	2020-11-11	NingBo KLS ELECTRONIC CO.,L.TD.
x.xxx ± 0.10	Check:	Daniel	2020-11-11	