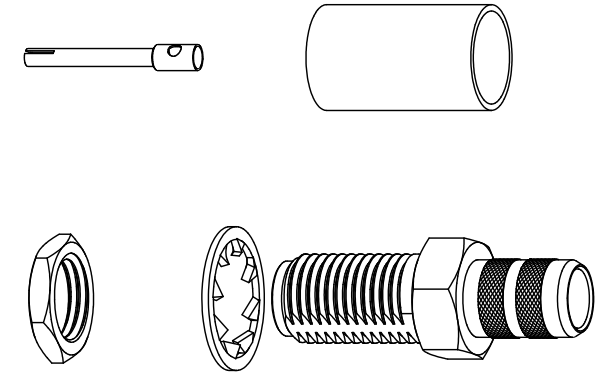
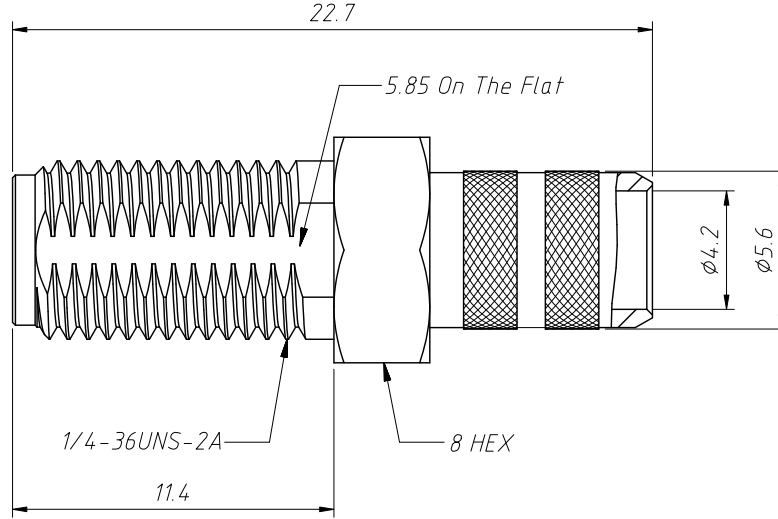
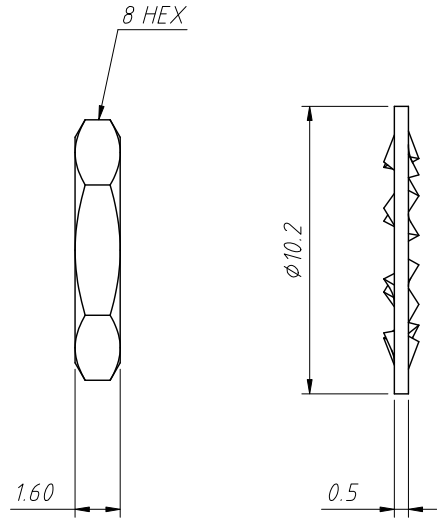


1 RoHS Compliance

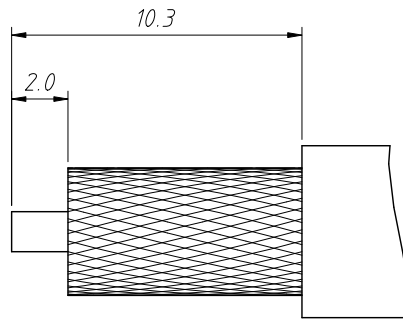


**Material:**  
 Body: Brass, Gold Plating  
 Insulator: TEFLON, Natural  
 Contact Pin: Ber. Copper, Gold Plating

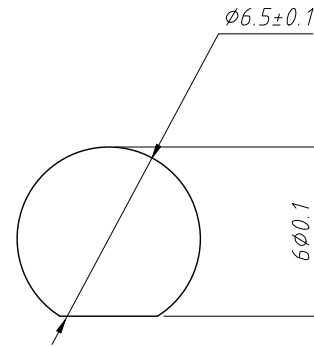
**Electrical:**  
 Impedance: 50Ω  
 Frequency Range: 0-6 GHz  
 Dielectric Withstanding Voltage : 1000 VRMS, Min

**Mechanical:**  
 Durability: 500 Cycles Min.  
 Temperature Range: -65°C to +165°C

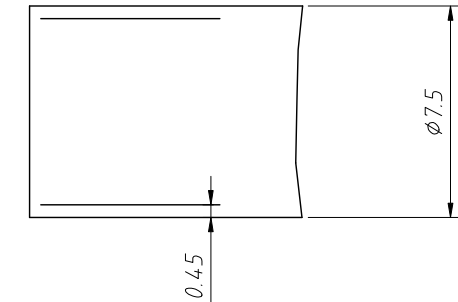
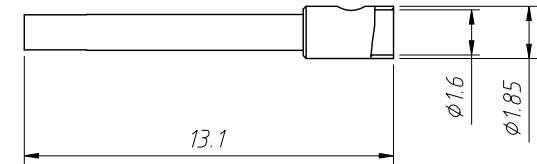
Crimped Ferrule HEX Crimp  
 Contact Pin To Solder  
 Max. Panel Thickness=3.2mm



RECOMMENDED CABLE STRIPPING DIMS



RECOMMENDED MOUNTING HOLE



ANGLE TOLERANCE	PROJECTION	Description:	Panel Mount SMA Cable Connector Straight (Jack, Female, 50Ω)	
±3°				
GENERAL TOLERANCE	UNITS	mm	KLS P/N:	L-KLS1-SMA116
x.x ±0.30	SHEET SIZE	A4		
x.xx ±0.20	Draw:	Daniel	2020-11-11	NingBo KLS ELECTRONIC CO.,L TD.
x.xxx ±0.10	Check:	Daniel	2020-11-11	