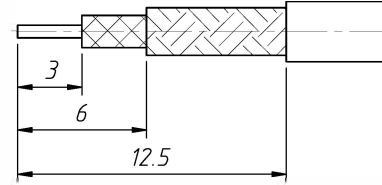
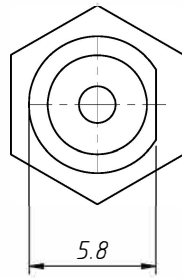
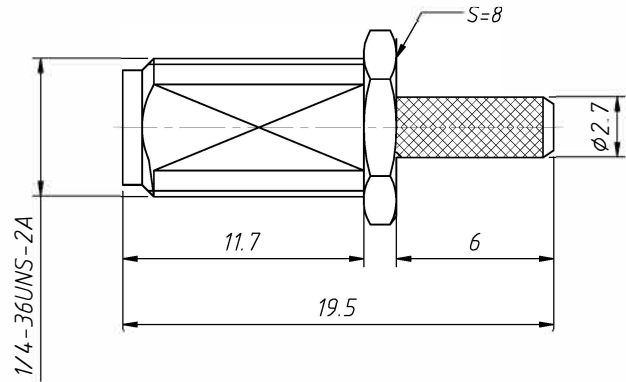


RoHS Compliance

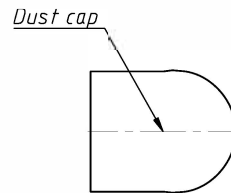
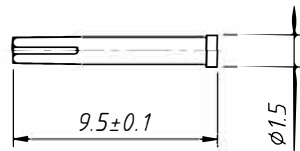
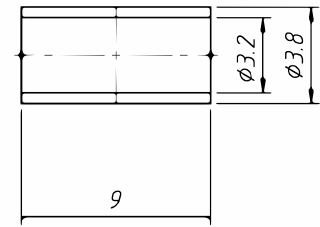
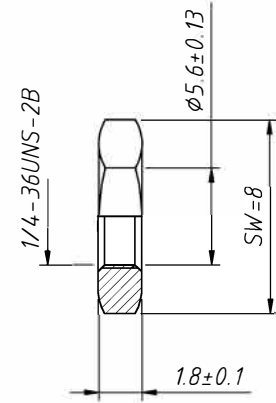
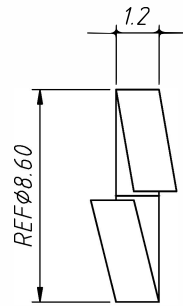
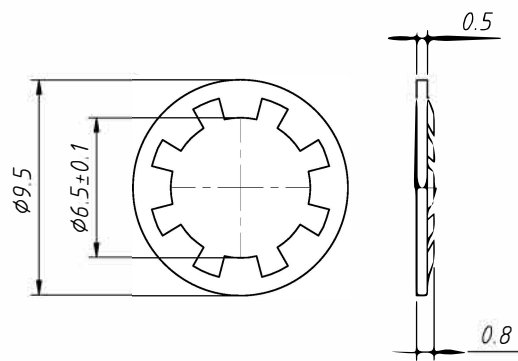


Relevant parameter:

- 1.Feature impedance:50Ω
- 2.Shell gold plating:  
Wire pressing pipe nickel plating
- 3.Frequency frequency:0-6GHz
- 4.Mechanical durability: 500 times

Material:

Connector body: Brass



ANGLE TOLERANCE	PROJECTION	Description:	SMA connectors	
±3°			L-KLS1-SMA008-RG174	
GENERAL TOLERANCE	UNITS	mm	KLS P/N:	
0-6 ±0.10	SHEET SIZE	A4		
6-30 ±0.20	Draw:	Daniel	2023-02-13	NingBo KLS ELECTRONIC CO.,L TD.
30-120 ±0.30	Check:	Daniel	2023-02-13	