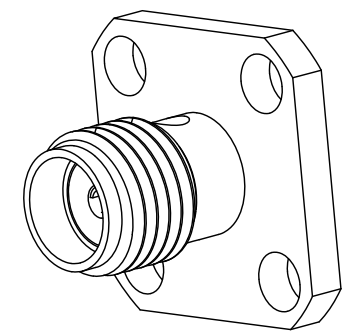
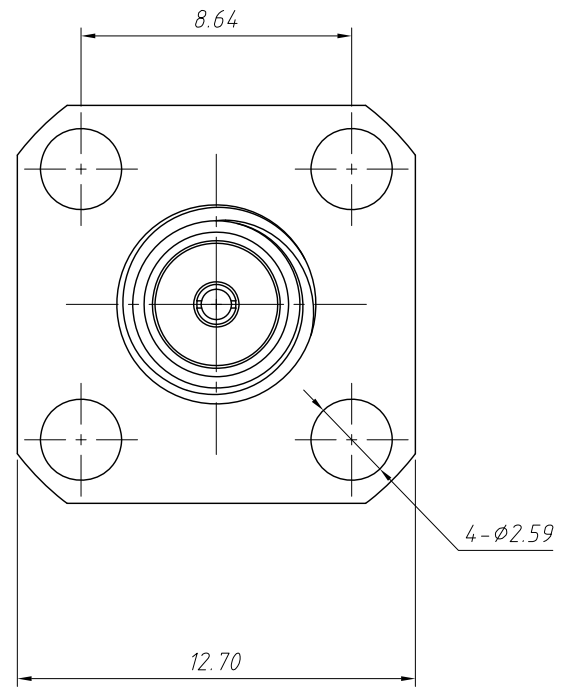
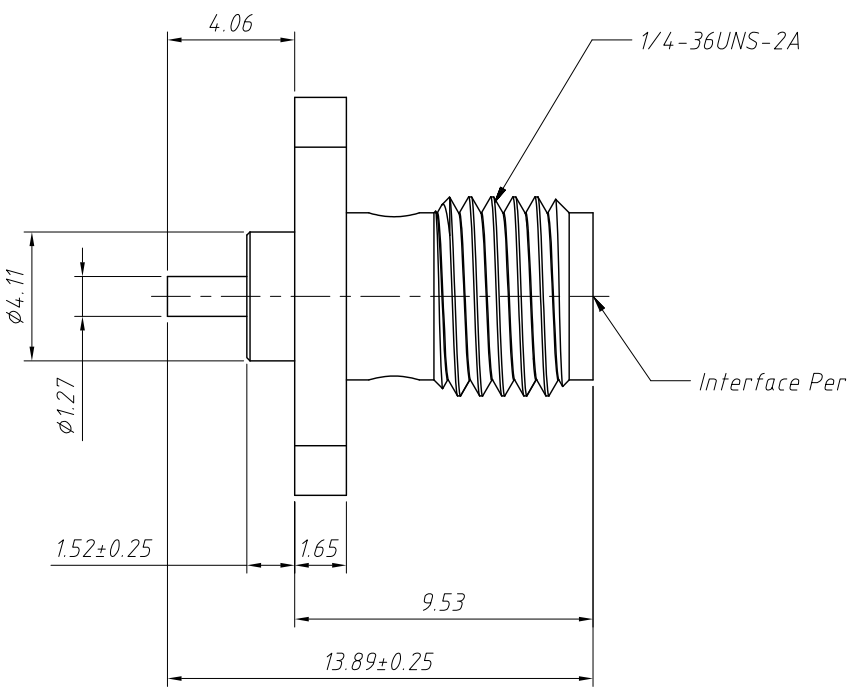


1  
RoHS Compliance



**Material:**  
 Body:Stainless Steel, Passivated  
 Contact:Beryllium Copper,Gold Plating  
 Insulator:PTFE

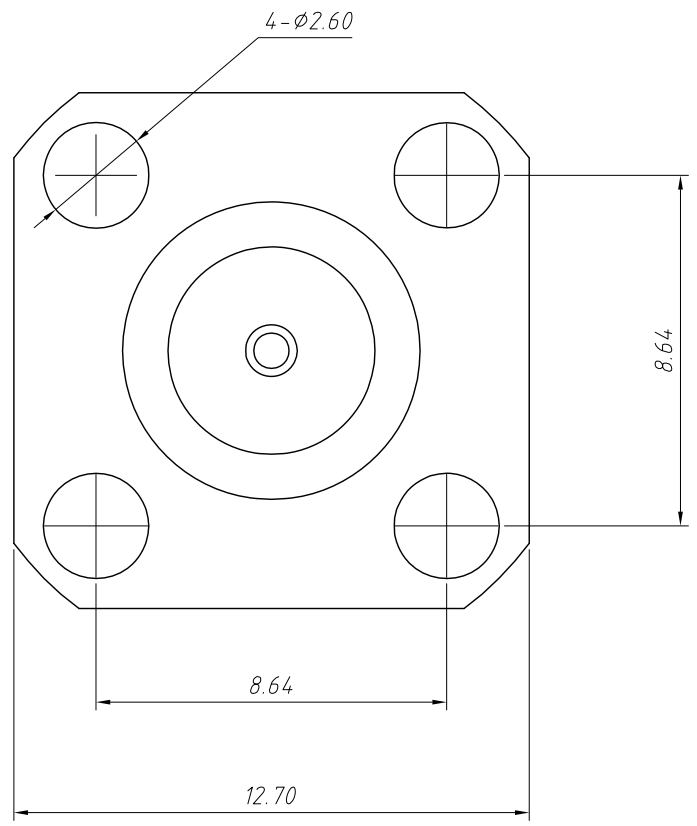
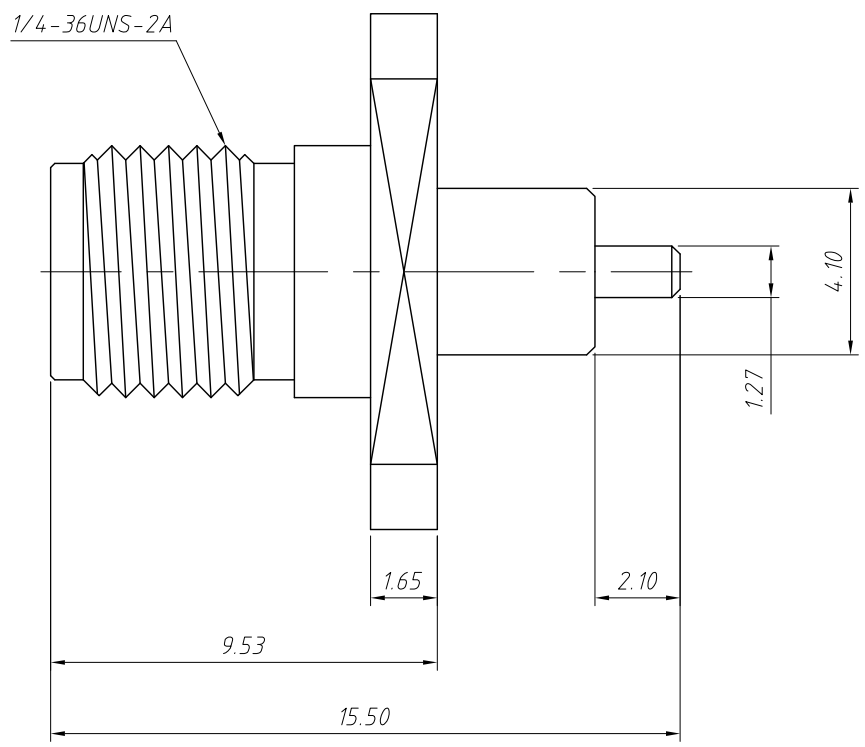
**Electrical:**  
 Impedance:50Ω

**Mechanical:**  
 Durability:500 Cycles Min.  
 Temperature Range:-65°C to +165°C

**Packaging:**  
 Quantity: Single Pack  
 Marking: Bag To Be Marked

ANGLE TOLERANCE	PROJECTION	Description:	4-Hole Flange Panel Mount SMA Connector Straight Jack, Female L13.6mm	
±3°				
GENERAL TOLERANCE	UNITS	mm	KLS P/N:	L-KLS1-SMA098-L13.6
x.x ±0.30	SHEET SIZE	A4		
x.xx ±0.20	Draw:	Daniel	2020-11-11	NingBo KLS ELECTRONIC CO.,LTD.
x.xxx ±0.10	Check:	Daniel	2020-11-11	

1  
RoHS Compliance



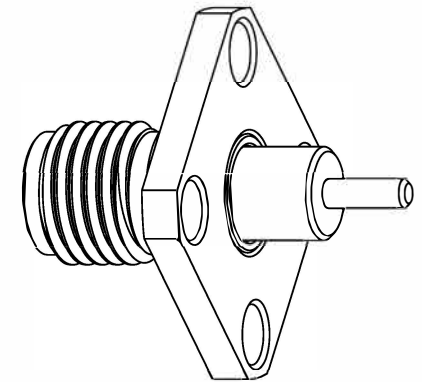
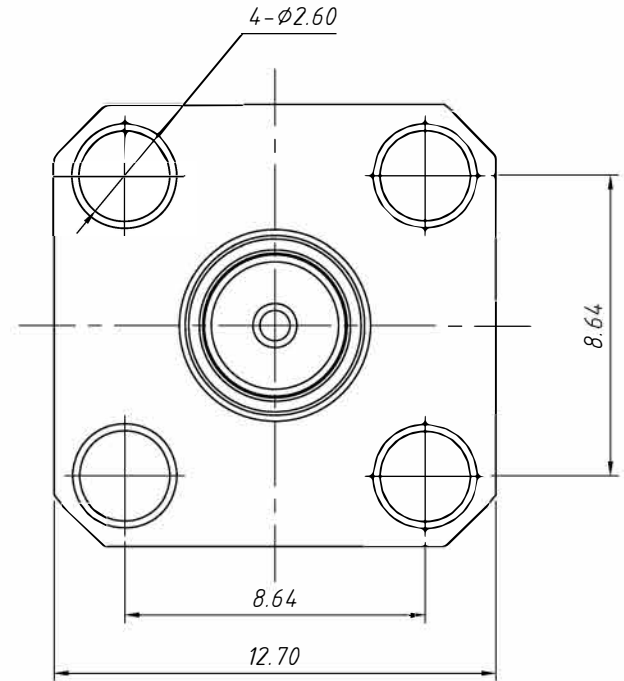
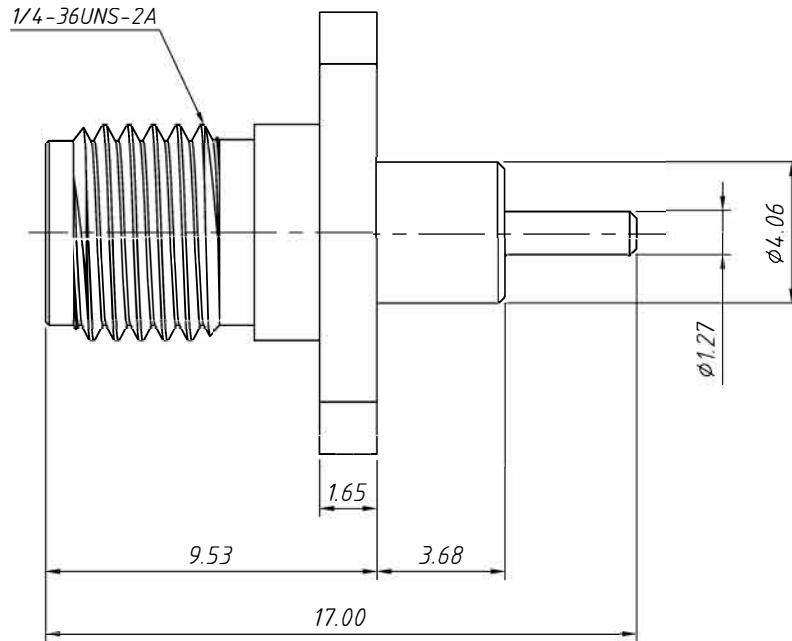
**Material:**  
 Body: Brass, Gold Plating  
 Contact Pin: Ber. Copper, Gold Plating  
 Insulator: Teflon, Natural

**Electrical:**  
 Impedance: 50Ω

**Mechanical:**  
 Durability: 500 Cycles Min.  
 Temperature Range: -65°C to +165°C

ANGLE TOLERANCE	PROJECTION		Description:	4-Hole Flange Panel Mount SMA Connector
±3°				Straight Jack, Female L15.5mm
GENERAL TOLERANCE	UNITS	mm	KLS P/N:	L-KLS1-SMA098-L15.5
x.x ±0.30	SHEET SIZE	A4		NingBo KLS ELECTRONIC CO.,LTD.
x.xx ±0.20	Draw:	Daniel	2020-11-11	
x.xxx ±0.10	Check:	Daniel	2020-11-11	

1  
RoHS Compliance



**Material:**

Body: Brass, Gold Plating

Contact Pin: Ber. Copper, Gold Plating

Insulator: PTFE, Natural

**Electrical:**

Impedance: 50Ω

Frequency Range: 0-6 GHz

Dielectric Withstanding Voltage: 1000 VRMS Min

**Mechanical:**

Durability: 500 Cycles Min.

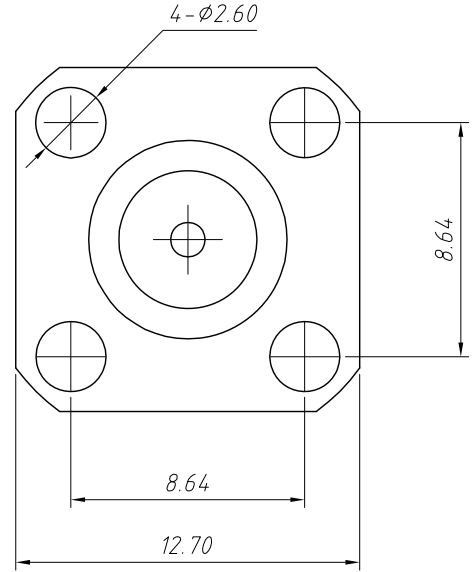
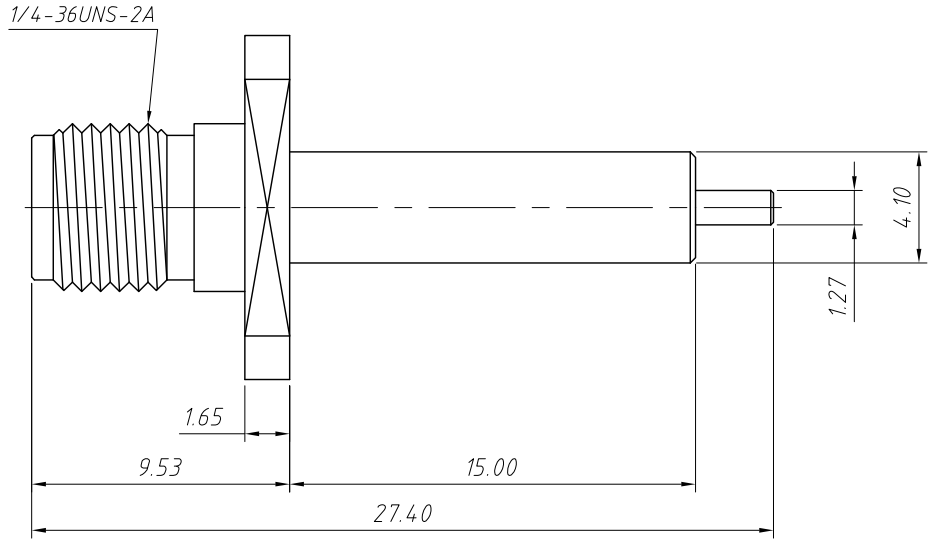
Temperature Range: -65°C to +165°C

The Contact Pin Must Withstand A 6 LBS. Min. Axial Force

And 4 In-Oz Rotational Torque

ANGLE TOLERANCE	PROJECTION	Description:	4-Hole Flange Panel Mount SMA Connector Straight Jack, Female L17.0mm	
±3°				
GENERAL TOLERANCE	UNITS	mm	KLS P/N:	L-KLS1-SMA098-L17.0
x.x ±0.30	SHEET SIZE	A4		
x.xx ±0.20	Draw:	Daniel	2020-11-11	NingBo KLS ELECTRONIC CO.,L TD.
x.xxx ±0.10	Check:	Daniel	2020-11-11	

1  
RoHS Compliance



**Material:**  
 Body:Brass,Gold Plating  
 Housing:Brass,Gold Plating  
 Contact Pin:Ber.Copper,Gold Plating  
 Insulator:TEFLON,Natural

**Electrical:**  
 Impedance:50Ω

**Mechanical:**  
 Durability:500 Cycles Min.  
 Temperature Range:-65°C to +165°C

ANGLE TOLERANCE	PROJECTION	Description:	4-Hole Flange Panel Mount SMA Connector Straight Jack, Female L27.4mm	
±3°				
GENERAL TOLERANCE	UNITS	mm	KLS P/N:	L-KLS1-SMA098-L27.4
x.x ±0.30	SHEET SIZE	A4		
x.xx ±0.20	Draw:	Daniel	2020-11-11	NingBo KLS ELECTRONIC CO.,L TD.
x.xxx ±0.10	Check:	Daniel	2020-11-11	