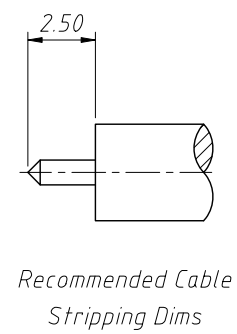
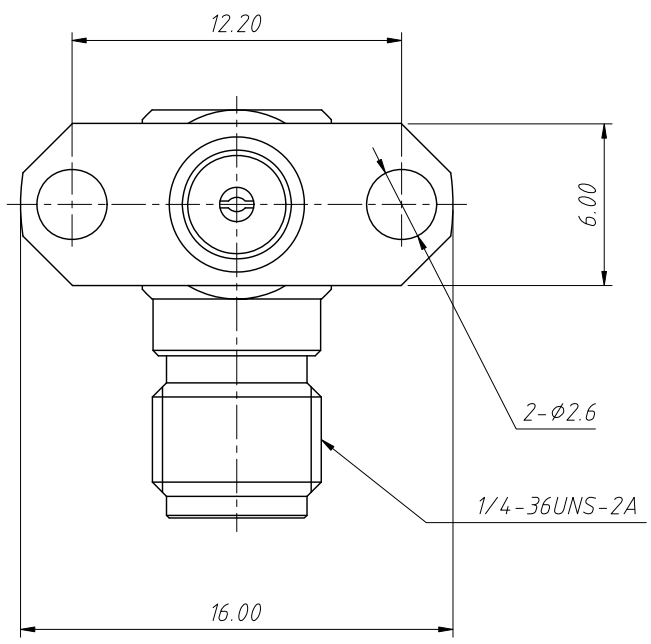
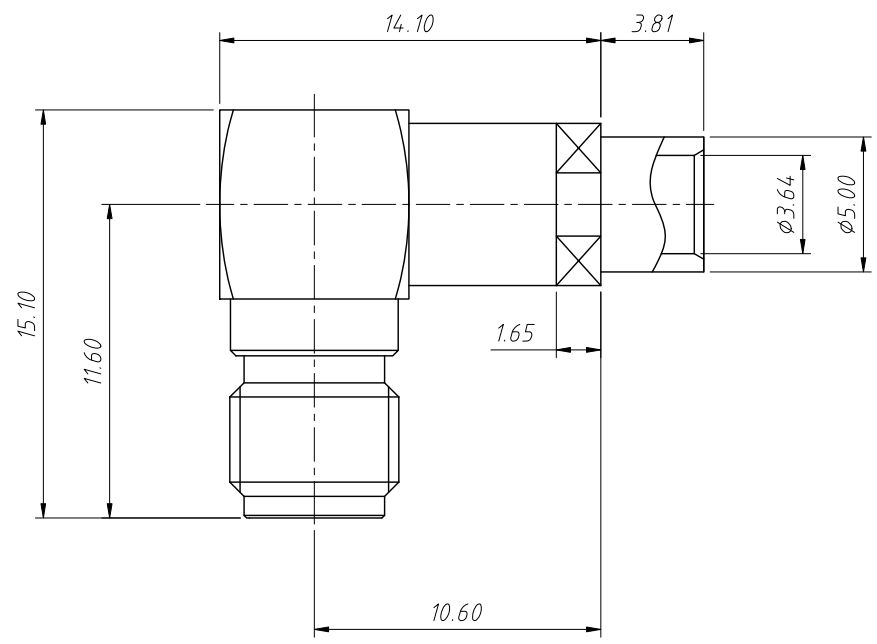


1
RoHS Compliance



Material:
Housing/Body: Brass, Gold Plating
Insulator: TEFLON, Natural
Contact Pin: Ber. Copper, Gold Plating
Cover: Brass, Gold Plating
Solder Body: Brass, Gold Plating

Electrical:
Impedance: 50 Ω
Frequency Range: 0-6 GHz
Dielectric Withstanding Voltage : 1000 VRMS, Min

Mechanical:
Durability: 500 Cycles Min.
Temperature Range: -65 $^{\circ}$ C to +165 $^{\circ}$ C

ANGLE TOLERANCE	PROJECTION	Description:	2-Hole Flange Panel Mount SMA Cable Connector Right Angle (Jack, Female, 50 Ω)	
$\pm 3^{\circ}$				
GENERAL TOLERANCE	UNITS	mm	KLS P/N:	L-KLS1-SMA113
x.x ± 0.30	SHEET SIZE	A4		
x.xx ± 0.20	Draw:	Daniel	2020-11-11	NingBo KLS ELECTRONIC CO., L TD.
x.xxx ± 0.10	Check:	Daniel	2020-11-11	