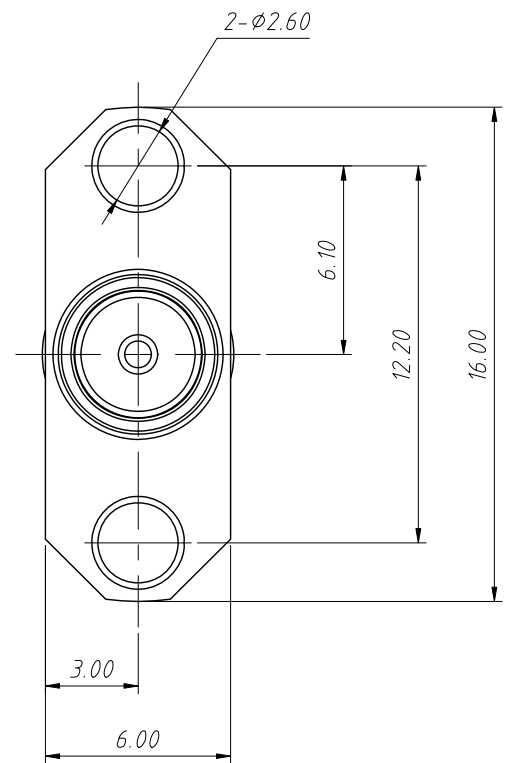
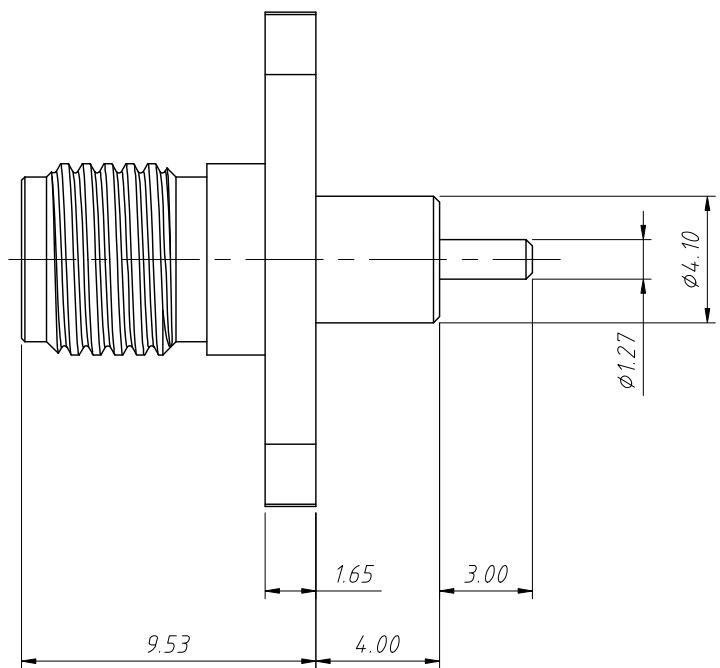


1
RoHS Compliance



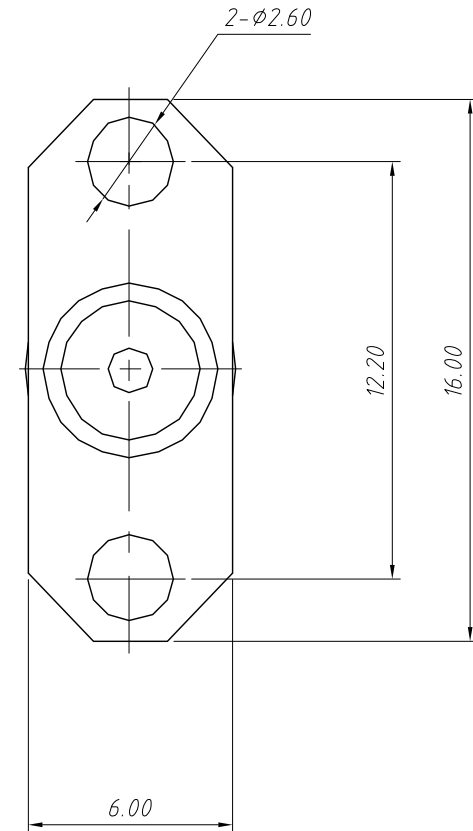
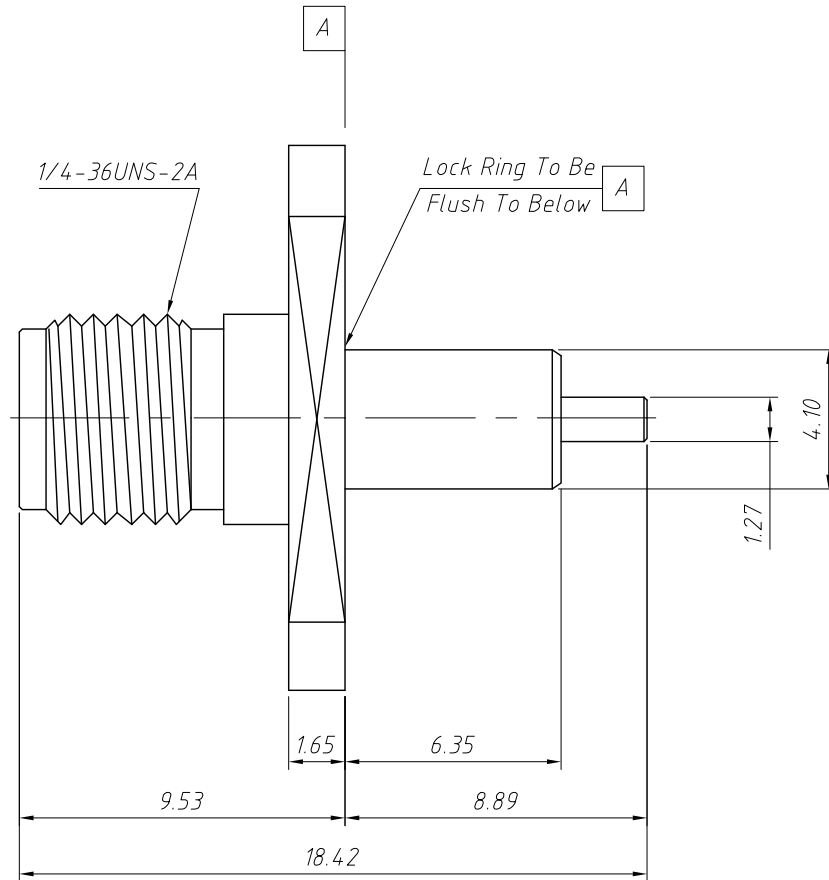
Material:
 Body: Brass, Gold Plating
 Insulator: PTFE, Natural
 Contact: Ber. Copper, Gold Plating

Electrical:
 Impedance: 50Ω
 Frequency Range: 0-6 GHz
 D.W. V: 1000 VRMS. MIN.

Mechanical:
 Durability: 500 Cycles Min.
 Temperature Range: -65°C to +165°C

ANGLE TOLERANCE	PROJECTION	Description:	2-Hole Flange Panel Mount SMA Connector Straight (Jack, Female, 50Ω)	
±3°				
GENERAL TOLERANCE	UNITS	mm	KLS P/N:	L-KLS1-SMA-KFD-L16
x.x ±0.30	SHEET SIZE	A4		NingBo KLS ELECTRONIC CO.,L.TD.
x.xx ±0.20	Draw:	Daniel	2020-11-11	
x.xxx ±0.10	Check:	Daniel	2020-11-11	

1
RoHS Compliance



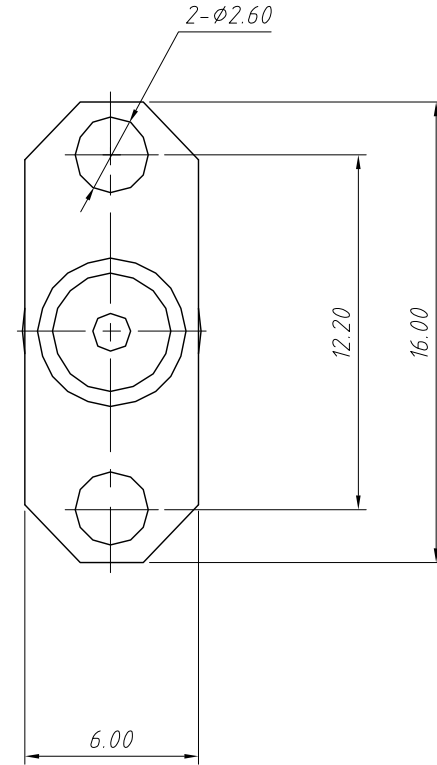
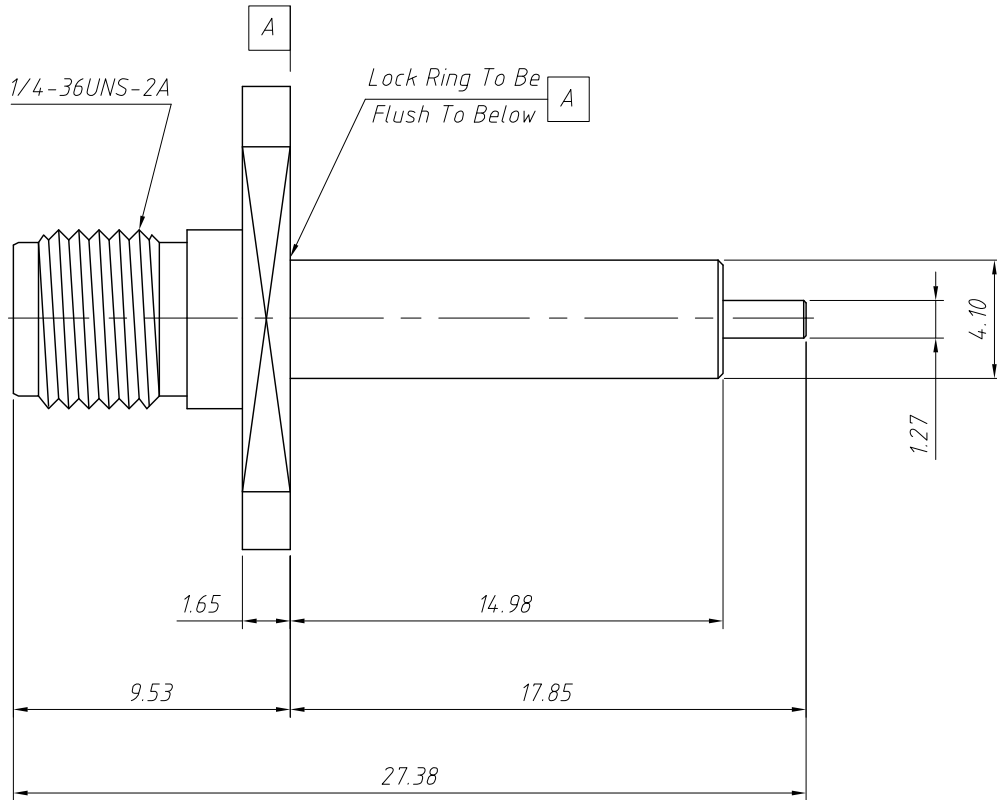
Material:
 Body: Brass, Gold Plating
 Insulator: PTFE, Natural
 Contact: Ber. Copper, Gold Plating
 Ring: Brass, Gold Plating

Electrical:
 Impedance: 50 Ω

Mechanical:
 Durability: 500 Cycles Min.
 Temperature Range: -65°C to +165°C

ANGLE TOLERANCE	PROJECTION	Description:	2-Hole Flange Panel Mount SMA Connector Straight (Jack, Female, 50 Ω)	
$\pm 3^\circ$				
GENERAL TOLERANCE	UNITS	mm	KLS P/N:	L-KLS1-SMA-KFD-L18.4
x.x ± 0.30	SHEET SIZE	A4		
x.xx ± 0.20	Draw:	Daniel	2020-11-11	NingBo KLS ELECTRONIC CO.,L TD.
x.xxx ± 0.10	Check:	Daniel	2020-11-11	

1
RoHS Compliance



Material:
 Body: Brass, Gold Plating
 Insulator: PTFE, Natural
 Contact: Ber. Copper, Gold Plating
 Ring: Brass, Gold Plating

Electrical:
 Impedance: 50Ω

Mechanical:
 Durability: 500 Cycles Min.
 Temperature Range: -65°C to +165°C

ANGLE TOLERANCE	PROJECTION	Description:	2-Hole Flange Panel Mount SMA Connector Straight (Jack, Female, 50Ω)	
±3°				
GENERAL TOLERANCE	UNITS	mm	KLS P/N:	L-KLS1-SMA-KFD-L27.4
x.x ±0.30	SHEET SIZE	A4		
x.xx ±0.20	Draw:	Daniel	2020-11-11	NingBo KLS ELECTRONIC CO.,L TD.
x.xxx ±0.10	Check:	Daniel	2020-11-11	