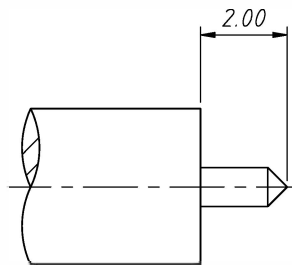
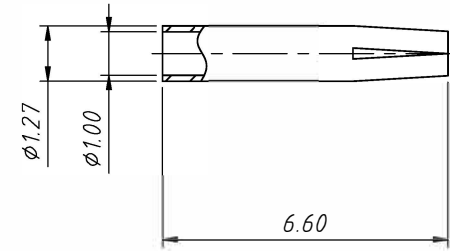
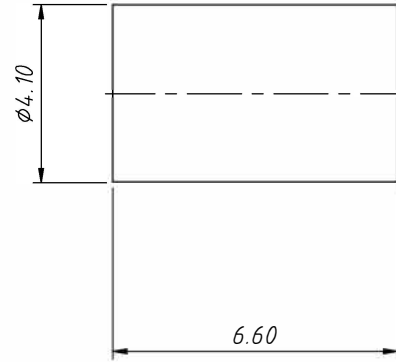
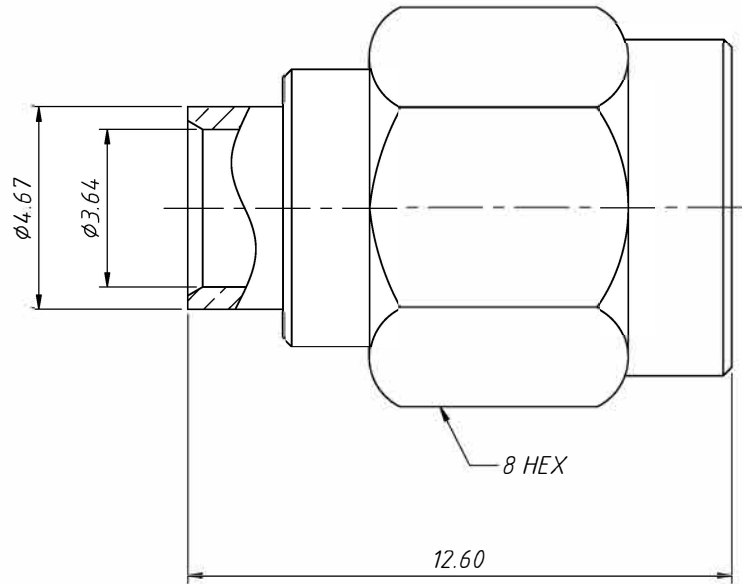


1 RoHS Compliance



RECOMMENDED
CABLE STRIPPING DIMS

Material:

Shell: Brass, Gold Plating

Body: Brass, Gold Plating

Contact Pin: Brass, Gold Plating

Gasket: Silicon Rubber, Red

Insulator: PTFE, Natural

Contact Pin: Beryllium Copper, Gold Plating

Electrical:

Impedance: 50Ω

Frequency Range: 0-6 GHz

VSWR: 1.3 Max

Mechanical:

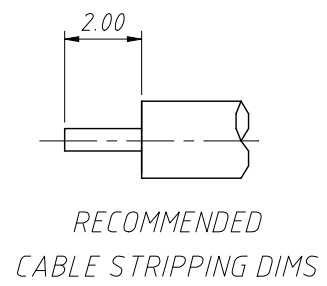
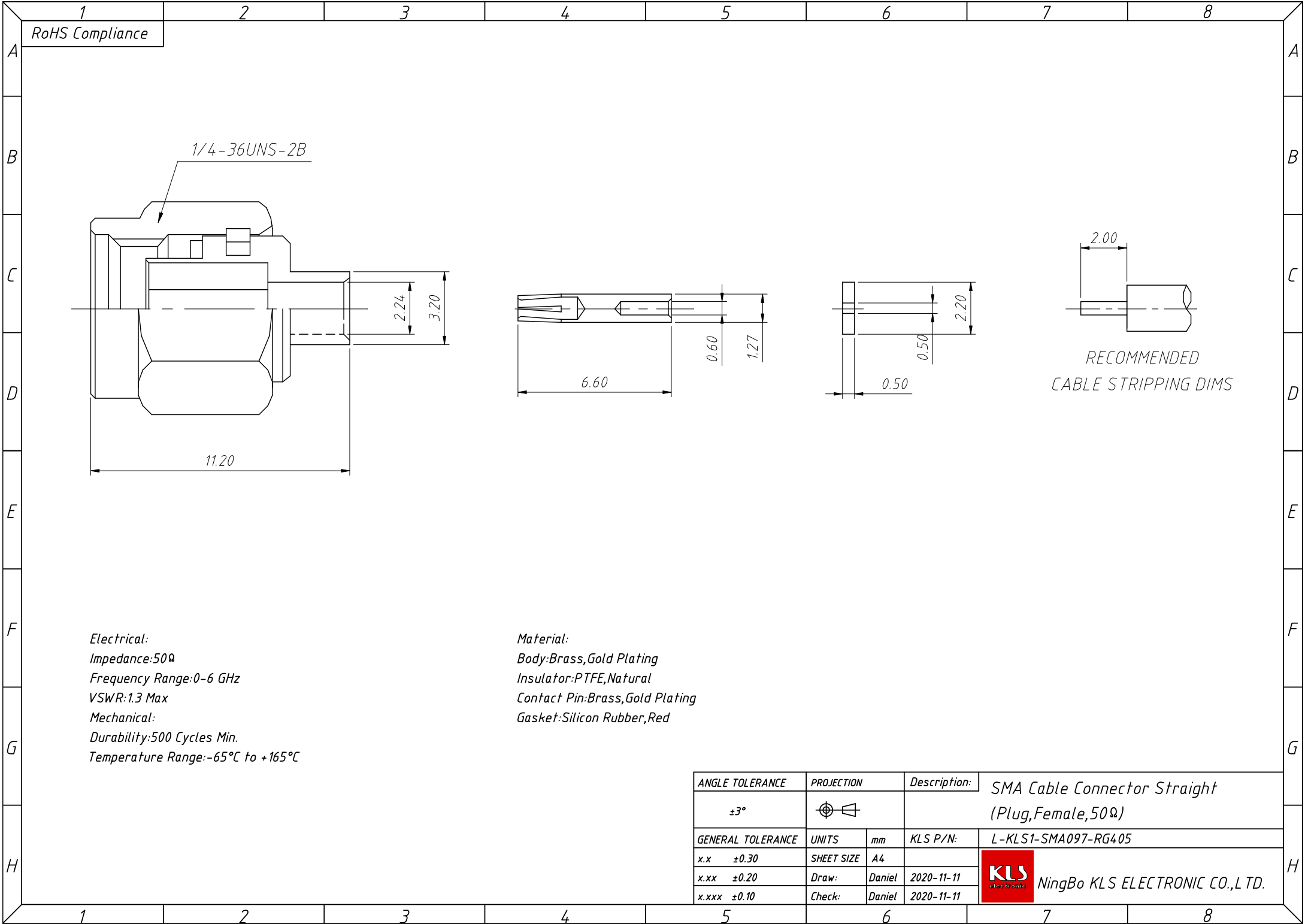
Durability: 750 Cycles Min.

Temperature Range: -65°C to +165°C

Contact Pin To Solder

ANGLE TOLERANCE	PROJECTION	Description:	SMA Cable Connector Straight (Plug, Female, 50Ω)	
±3°				
GENERAL TOLERANCE	UNITS	mm	KLS P/N:	L-KLS1-SMA097-RG402
x.x ±0.30	SHEET SIZE	A4		
x.xx ±0.20	Draw:	Daniel	2020-11-11	NingBo KLS ELECTRONIC CO.,L TD.
x.xxx ±0.10	Check:	Daniel	2020-11-11	

1
RoHS Compliance



Electrical:
 Impedance: 50Ω
 Frequency Range: 0-6 GHz
 VSWR: 1.3 Max
Mechanical:
 Durability: 500 Cycles Min.
 Temperature Range: -65°C to +165°C

Material:
 Body: Brass, Gold Plating
 Insulator: PTFE, Natural
 Contact Pin: Brass, Gold Plating
 Gasket: Silicon Rubber, Red

ANGLE TOLERANCE	PROJECTION	Description:	SMA Cable Connector Straight (Plug, Female, 50Ω)	
±3°				
GENERAL TOLERANCE	UNITS	mm	KLS P/N:	L-KLS1-SMA097-RG405
x.x ±0.30	SHEET SIZE	A4		
x.xx ±0.20	Draw:	Daniel	2020-11-11	NingBo KLS ELECTRONIC CO.,L TD.
x.xxx ±0.10	Check:	Daniel	2020-11-11	