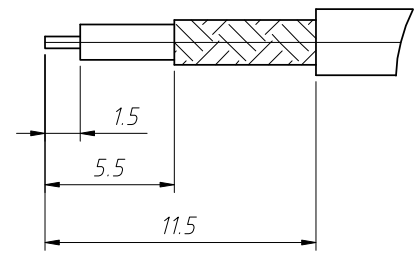
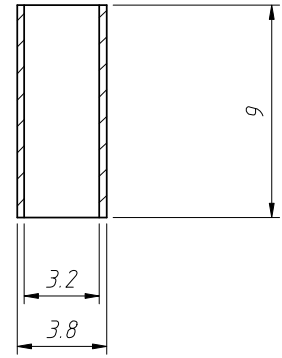
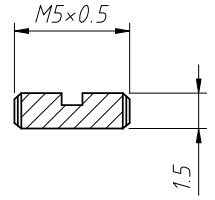
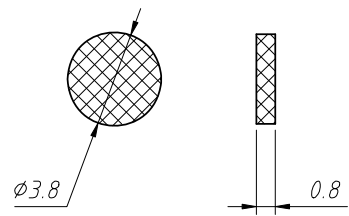
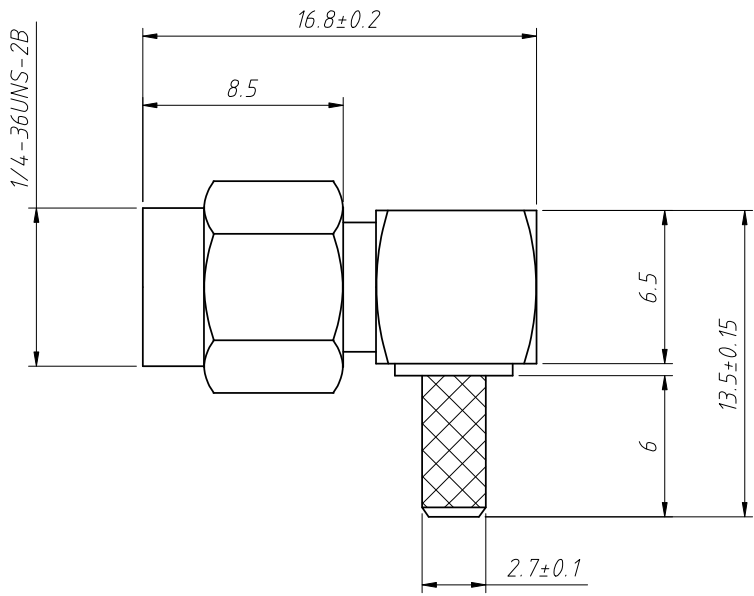


1
RoHS Compliance



Specifications:
 Impedance: 50Ω
 Frequency Range: 0-6GHz, VSWR :1.2 Max
 Material: Brass
 Surface: Gold Plating, Salt spray for 48 hours
 Durability: 500 Cycles Min

ANGLE TOLERANCE	PROJECTION	Description:	SMA Cable Connector Right Angle (Plug, Male, 50Ω) RG-316, RG-174, RG-179
±3°			
GENERAL TOLERANCE	UNITS	mm	KLS P/N: L-KLS1-SMA019
x.x ±0.30	SHEET SIZE	A4	
x.xx ±0.20	Draw:	Daniel	2018-07-10
x.xxx ±0.10	Check:	Daniel	2018-07-10

