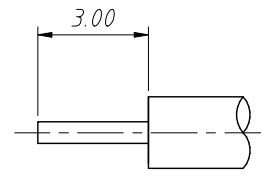
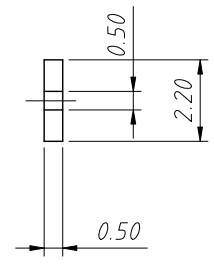
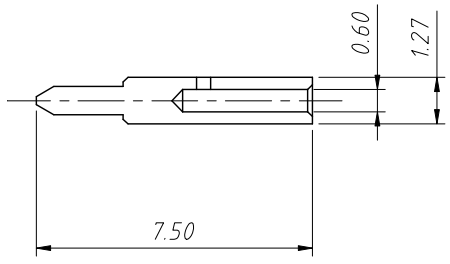
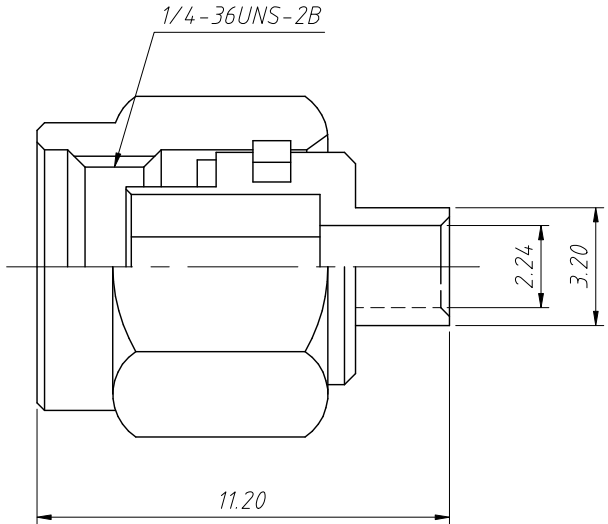


1  
RoHS Compliance



RECOMMENDED CABLE STRIPPING DIMENSIONS

Notes:

1. Materials And Finishes:

- Body: Brass, Gold Plating
- Contact Pin: Brass, Gold Plating
- Insulator: Teflon, Natural
- Gasket: Silicone, Red

2. Electrical:

- Impedance: 50Ω
- Frequency Range: 0-6 GHz
- Dielectric Withstanding Voltage : 1000VRMS, Min.

3. Mechanical:

- Durability: 500 Cycles Min.
- Temperature Range: -65°C TO +165°C

ANGLE TOLERANCE	PROJECTION	Description:	SMA Cable Connector Straight (Plug, Male, 50Ω)	
±3°				
GENERAL TOLERANCE	UNITS	mm	KLS P/N:	L-KLS1-SMA004
x.x ±0.30	SHEET SIZE	A4		
x.xx ±0.20	Draw:	Daniel	2020-11-11	NingBo KLS ELECTRONIC CO.,L TD.
x.xxx ±0.10	Check:	Daniel	2020-11-11	