

Small size photoelectric sensors PSM series



Features

- 18mm threaded cylindrical mounting, easy to install
- Short case for small installation space
- Big knob design for easy adjustment
- IP67 protection, suitable for harsh environments
- With 360° visible bright LED status indicator
- Suitable for inspection of smooth transparent bottles and transparent films



Model

NPN NO/NC	PSM-GM2DNBR-E2	PNP NO/NC	PSM-GM2DPBR-E2
-----------	----------------	-----------	----------------

Specifications

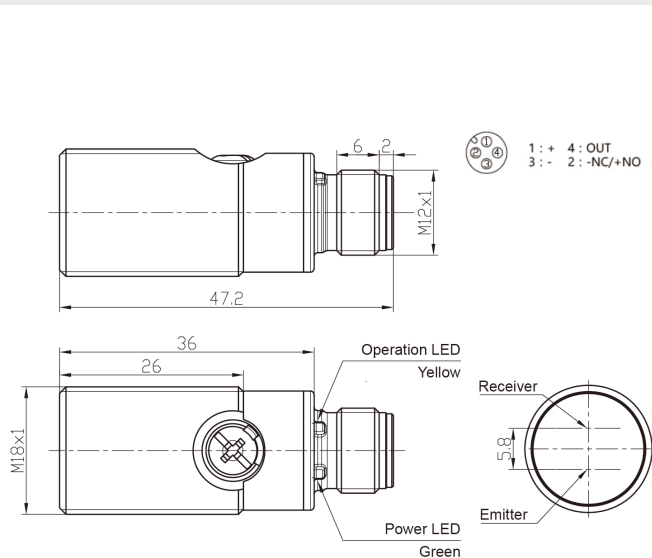
Detection type	Transparent object detection	Distance adjustment	Single-turn potentiometer
Detection distance	2m*	Indicator	Green LED: power, stable Yellow LED: output, short circuit or overload
Light source	Red light (640nm)	Anti-ambient light	Anti-sunlight interference $\leq 10,000\text{lux}$ Incandescent light interference $\leq 3,000\text{lux}$
Spot size	45*45mm@100cm	Operating temperature	-25...55 °C
Standard target	$> \phi 35\text{mm}$ object with more than 15% transmittance**	Storage temperature	-35...70 °C
Output	NPN NO/NC or PNP NO/NC	Protection degree	IP67
Response time	$\leq 1\text{ms}$	Certification	CE
Supply voltage	10...30 VDC	Material	Housing: Nickel copper alloy; Filter: PMMA
Consumption current	$\leq 20\text{mA}$	Connection	M12 4-core connector
Load current	$\leq 200\text{mA}$	Annex	M18 nut (2PCS), instruction manual, Reflector TD-09
Voltage drop	$\leq 1\text{V}$		
Circuit protection	Short-circuit, overload, reverse polarity protection		
NO/NC adjustment	Feet 2 is connected to the positive pole or hang up; Feet 2 is connected to the negative pole, NC mode		

*This data is the result of the TD-09 test of the reflector of the Lanbao PSM polarized sensor.

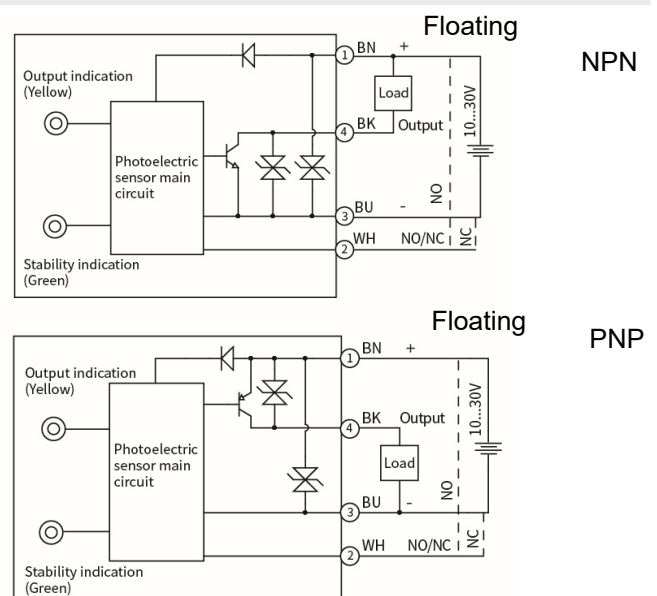
**Smaller objects can be detected by adjustment.

***The green LED becomes weaker, which means that the signal is weaker and the sensor is unstable; The yellow LED flashes, which means that the sensor is shorted or overloaded;

Dimensions



Circuit Diagrams



Small size photoelectric sensors PSM series



Features

- 18mm threaded cylindrical mounting, easy to install
- Short case for small installation space
- Big knob design for easy adjustment
- IP67 protection, suitable for harsh environments
- With 360° visible bright LED status indicator
- Suitable for inspection of smooth transparent bottles and transparent films



Model

NPN NO/NC	PSM-GM2DNBR	PNP NO/NC	PSM-GM2DPBR
-----------	-------------	-----------	-------------

Specifications

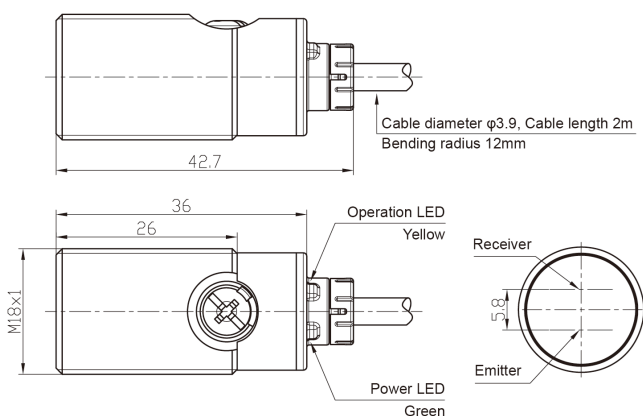
Detection type	Transparent object detection	Distance adjustment	Single-turn potentiometer
Detection distance	2m*	Indicator	Green LED: power, stable
Light source	Red light (640nm)		Yellow LED: output, short circuit or overload
Spot size	45*45mm@100cm	Anti-ambient light	Anti-sunlight interference $\leq 10,000\text{lux}$
Standard target	$> \phi 35\text{mm}$ object with more than 15% transmittance**		Incandescent light interference $\leq 3,000\text{lux}$
Output	NPN NO/NC or PNP NO/NC	Operating temperature	-25...55 °C
Response time	$\leq 1\text{ms}$	Storage temperature	-35...70 °C
Supply voltage	10...30 VDC	Protection degree	IP67
Consumption current	$\leq 20\text{mA}$	Certification	CE
Load current	$\leq 200\text{mA}$	Material	Housing: Nickel copper alloy; Filter: PMMA
Voltage drop	$\leq 1\text{V}$	Connection	2m PVC cable
Circuit protection	Short-circuit, overload, reverse polarity protection	Annex	M18 nut (2PCS), instruction manual, Reflector TD-09
NO/NC adjustment	White wire is connected to the positive pole or hang on, NO mode; White wire is connected to the negative pole, NC mode		

*This data is the result of the TD-09 test of the reflector of the Lanbao PSM polarized sensor.

**Smaller objects can be detected by adjustment.

***The green LED becomes weaker, which means that the signal is weaker and the sensor is unstable; The yellow LED flashes, which means that the sensor is short ed or overloaded;

Dimensions



Circuit Diagrams

