

Small size photoelectric sensors PSM series



Features

- 18mm threaded cylindrical mounting, easy to install
- Short case for small installation space
- Big knob design for easy adjustment
- IP67 protection, suitable for harsh environments
- Visible red spot for easy installation and debugging



Model

NPN NO/NC	PSM-BC40DNBR-E2	PNP NO/NC	PSM-BC40DPBR-E2
-----------	-----------------	-----------	-----------------

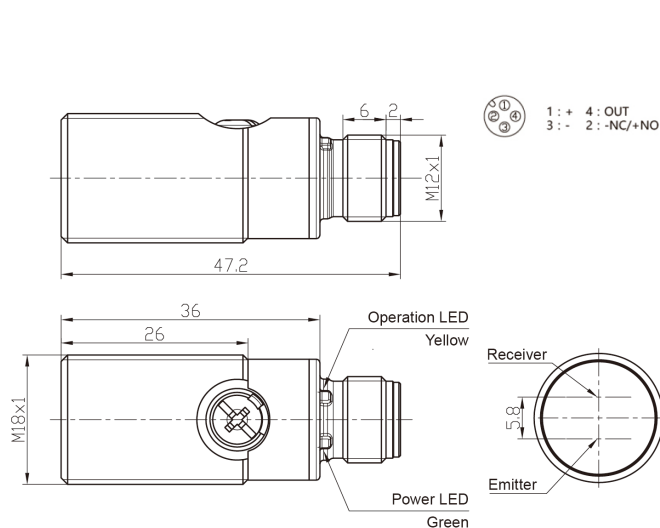
Specifications

Detection type	Diffuse reflection	Hysteresis	3...20%
Detection distance	40cm	Indicator	Green LED: power, stable Yellow LED: output, short circuit or overload
Light source	Red light (640nm)	Anti-ambient light	Anti-sunlight interference ≤ 10,000lux; Incandescent light interference ≤ 3,000lux
Spot size	15*15mm@40cm	Operating temperature	-25...55 °C
Output	NPN NO/NC or PNP NO/NC	Storage temperature	-35...70 °C
Response time	≤0.5ms	Protection degree	IP67
Supply voltage	10...30 VDC	Certification	CE
Consumption current	≤20mA	Material	Housing: Nickel copper alloy; Filter: PMMA
Load current	≤200mA	Annex	M18 nut (2PCS), instruction manual
Voltage drop	≤1V		
Circuit protection	Short-circuit, overload, reverse polarity protection		
Connection	M12 4-core connector		
Distance adjustment	Single-turn potentiometer		
NO/NC adjustment	Feet 2 is connected to the positive pole or hang up, NO mode; Feet 2 is connected to the negative pole, NC mode		

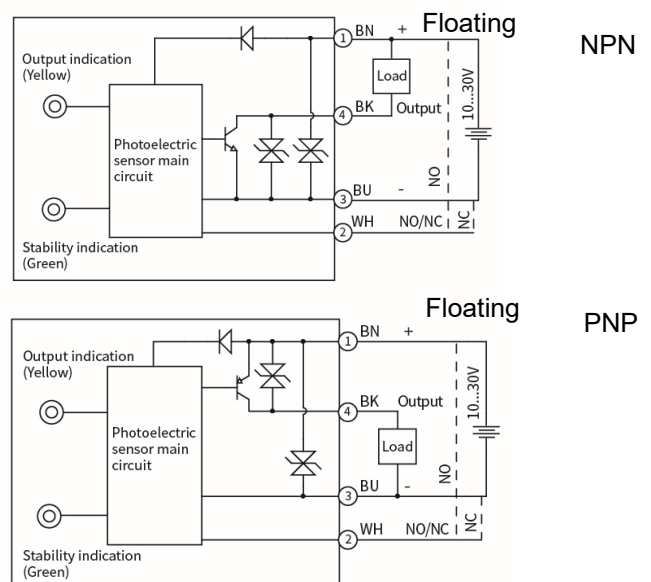
Remarks:①Detection object is 90% white card with size 20cm * 20cm;

②The green LED becomes weaker, which means that the signal is weaker and the sensor is unstable; The yellow LED flashes, which means that the sensor is shorted or overloaded;

Dimensions



Circuit Diagrams



Small size photoelectric sensors PSM series



Features

- 18mm threaded cylindrical mounting, easy to install
- Short case for small installation space
- Big knob design for easy adjustment
- IP67 protection, suitable for harsh environments
- Visible red spot for easy installation and debugging



Model

NPN NO/NC	PSM-BC40DNBR	PNP NO/NC	PSM-BC40DPBR
-----------	--------------	-----------	--------------

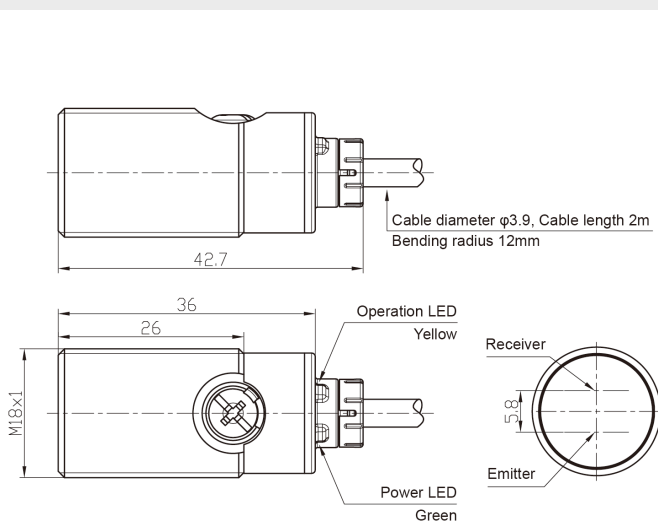
Specifications

Detection type	Diffuse reflection	Hysteresis	3...20%
Rated distance	40cm	Indicator	Green LED: power, stable Yellow LED: output, short circuit or overload
Light source	Red light (640nm)	Anti-ambient light	Anti-sunlight interference $\leq 10,000\text{lux}$ Incandescent light interference $\leq 3,000\text{lux}$
Spot size	15*15mm@40cm	Operating temperature	-25...55 °C
Output	NPN NO/NC or PNP NO/NC	Storage temperature	-35...70 °C
Response time	$\leq 0.5\text{ms}$	Protection degree	IP67
Supply voltage	10...30 VDC	Certification	CE
Consumption current	$\leq 20\text{mA}$	Material	Housing: Nickel copper alloy; Filter: PMMA
Load current	$\leq 200\text{mA}$	Annex	M18 nut (2PCS), instruction manual
Voltage drop	$\leq 1\text{V}$		
Circuit protection	Short-circuit, overload, reverse polarity protection		
Connection	2m PVC cable		
Distance adjustment	Single-turn potentiometer		
NO/NC adjustment	White wire is connected to the positive pole, NO mode; White wire is connected to the negative pole, NC mode		

Remarks: ① Detection object is 90% white card with size 20cm * 20cm;

② The green LED becomes weaker, which means that the signal is weaker and the sensor is unstable; The yellow LED flashes, which means that the sensor is shorted or overloaded;

Dimensions



Circuit Diagrams

