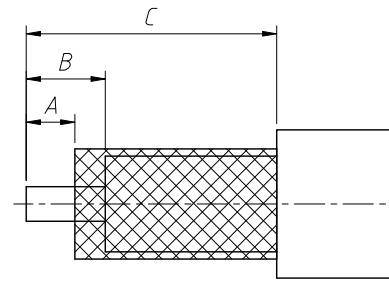
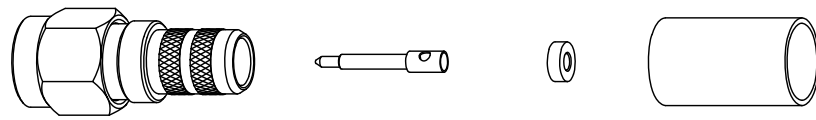
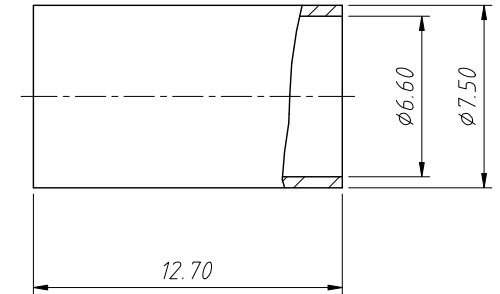
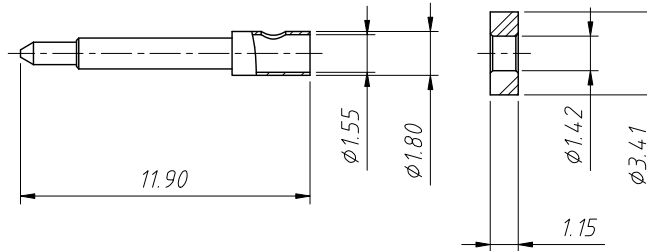
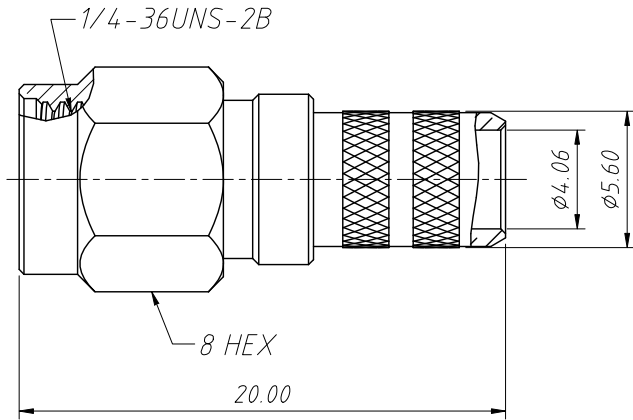
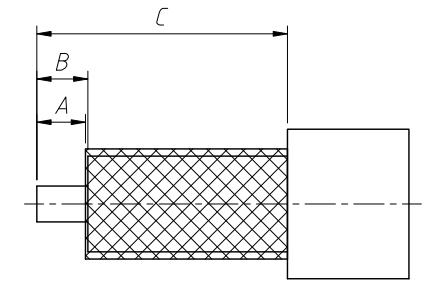


1 RoHS Compliance



LMR-240



RG-8/X

**Electrical:**  
 Impedance: 50Ω  
 Frequency Range: 0-6 GHz  
 Dielectric Withstanding Voltage: 1000 VRMS . Min  
**Mechanical:**  
 Durability: 500 Cycles Min.  
 Temperature Range: -65°C to +165°C  
 Crimped Ferrule HEX Crimp Size  
 Contact Pin To Solder  
 See Table A For Recommended Cable Stripping Dimensions

**Material:**  
 Shell: Brass, Gold Plating  
 Gasket: Silicon Rubber, Red  
 Retainer Ring: SUS 304 , Natural  
 Insulator: PTFE, Natural  
 Body: Brass, Gold Plating  
 Contact Pin: Brass, Gold Plating  
 Spacer: PTFE, Natural  
 Ferrule: Brass, Gold Plating

Table A				
Cable TYPE	Dimension A	Dimension B	Dimension C	Spacer Required
LMR-240	2.00	3.25	10.3	Yes
RG-8/X	2.00	2.10	10.3	No

ANGLE TOLERANCE	PROJECTION	Description:	SMA Cable Connector Straight (Plug, Male, 50Ω)	
±3°				
GENERAL TOLERANCE	UNITS	mm	KLS P/N:	L-KLS1-SMA095
x.x ±0.30	SHEET SIZE	A4		
x.xx ±0.20	Draw:	Daniel	2020-11-11	
x.xxx ±0.10	Check:	Daniel	2020-11-11	

**KLS** electronic NingBo KLS ELECTRONIC CO.,L TD.