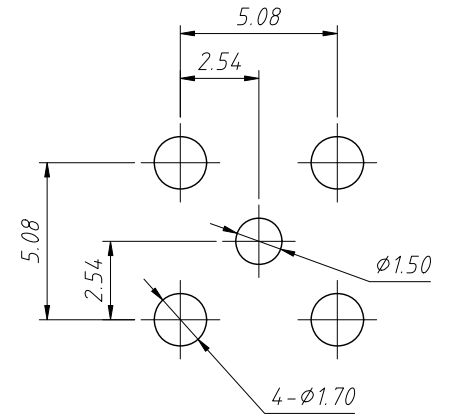
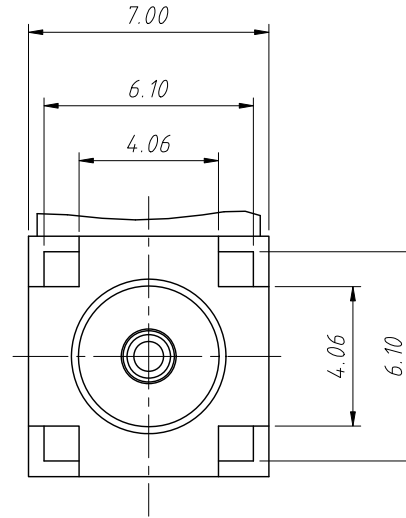
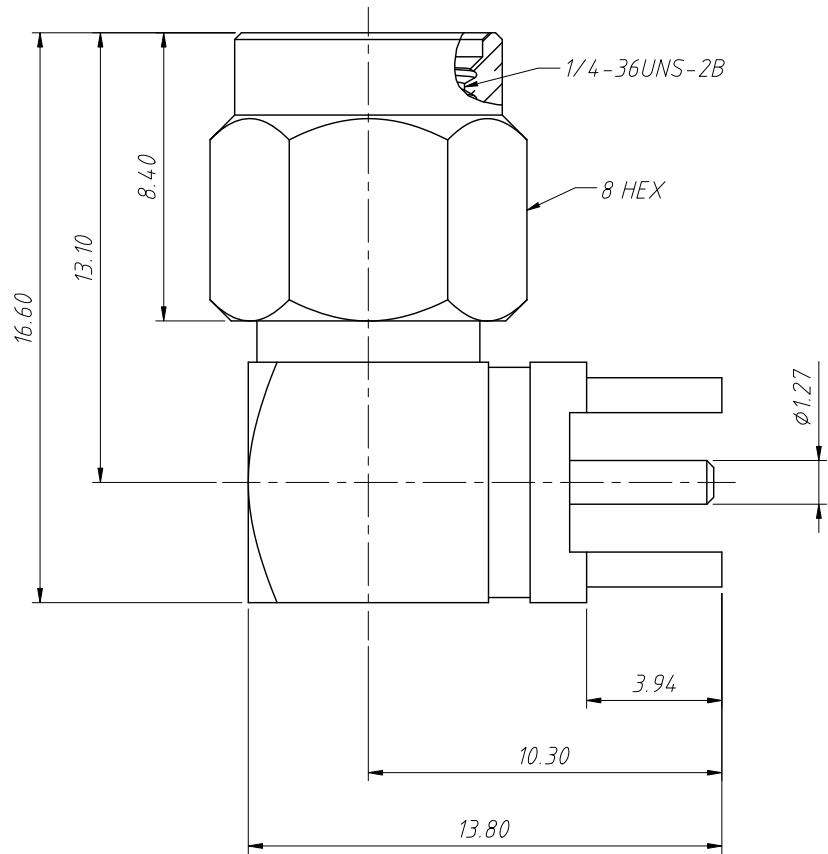


1 RoHS Compliance



PCB Mounting Hole

Material:

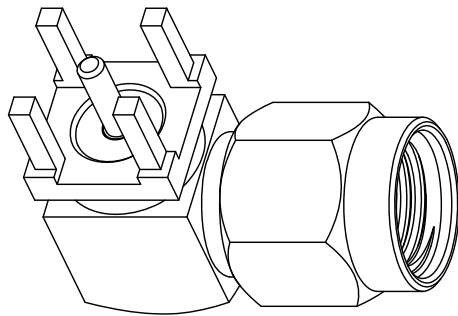
- Housing With Body: Brass, Gold Plating
- Contact Pin: Ber. Copper, Gold Plating
- Insulator: PTFE, Natural
- Retainer Ring: PTFE, Natural
- Gasket: Silicon Rubber, Rde
- Shell: Brass, Gold Plating
- Cover: Brass, Gold Plating

Electrical Specifications:

- Impedance: 50Ω
- Frequency Range: 0-6 GHz
- Dielectric Withstanding Voltage: 1000 VRMS, Min

Mechanical Specifications:

- Durability: 500 Cycles Min.
- Temperature Range: -65°C to +165°C



ANGLE TOLERANCE	PROJECTION	Description:	PCB Mount SMA Connector Right Angle (Plug, Female, 50Ω)
±3°			
GENERAL TOLERANCE	UNITS	mm	KLS P/N: L-KLS1-SMA015B
x.x ±0.30	SHEET SIZE	A4	NingBo KLS ELECTRONIC CO.,L TD.
x.xx ±0.20	Draw:	Daniel 2020-11-11	
x.xxx ±0.10	Check:	Daniel 2020-11-11	