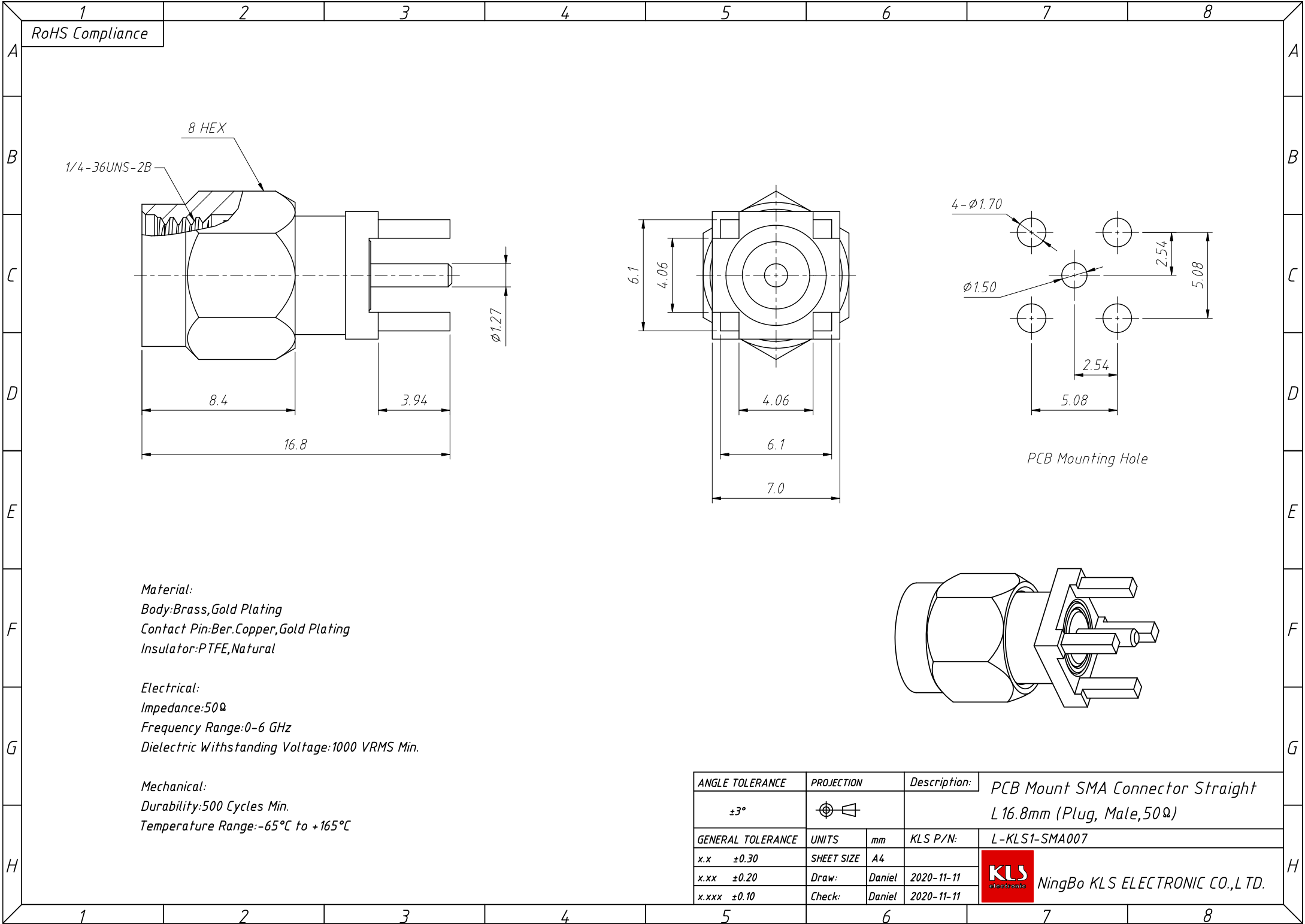


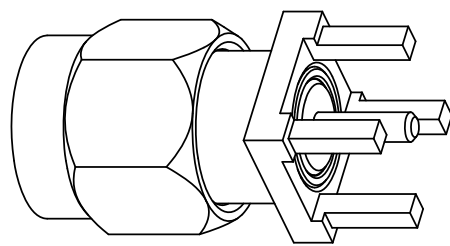
1
RoHS Compliance



Material:
 Body:Brass,Gold Plating
 Contact Pin:Ber.Copper,Gold Plating
 Insulator:PTFE,Natural

Electrical:
 Impedance:50Ω
 Frequency Range:0-6 GHz
 Dielectric Withstanding Voltage:1000 VRMS Min.

Mechanical:
 Durability:500 Cycles Min.
 Temperature Range:-65°C to +165°C



ANGLE TOLERANCE	PROJECTION	Description:	PCB Mount SMA Connector Straight
±3°			L 16.8mm (Plug, Male, 50Ω)
GENERAL TOLERANCE	UNITS	mm	KLS P/N: L-KLS1-SMA007
x.x ±0.30	SHEET SIZE	A4	NingBo KLS ELECTRONIC CO.,L TD.
x.xx ±0.20	Draw:	Daniel	
x.xxx ±0.10	Check:	Daniel	