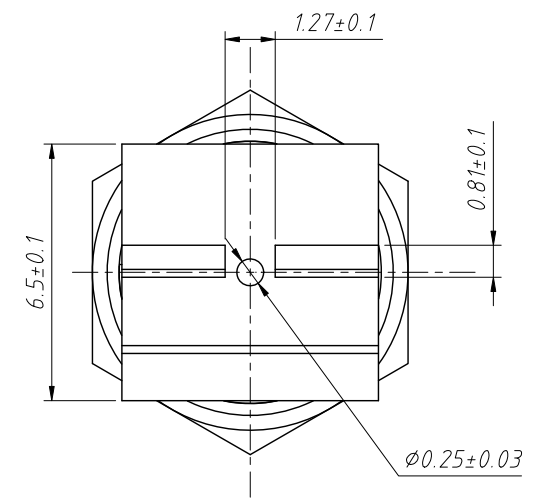
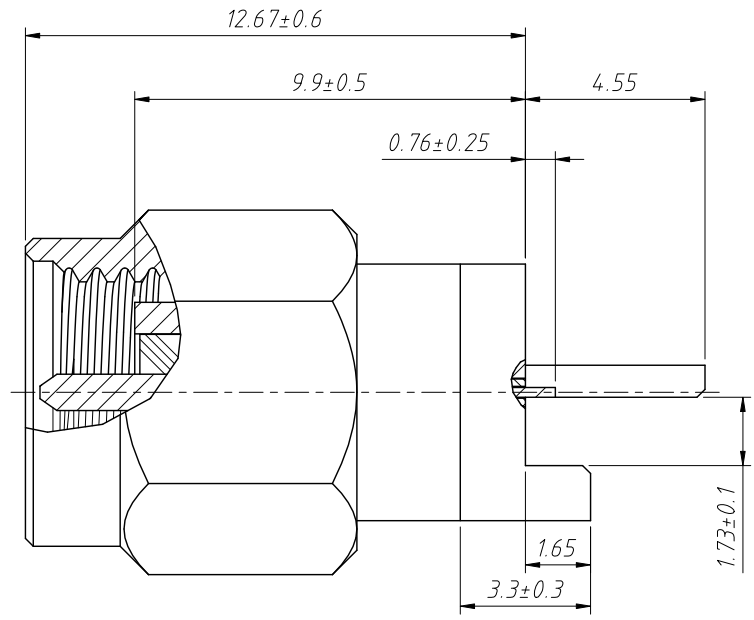
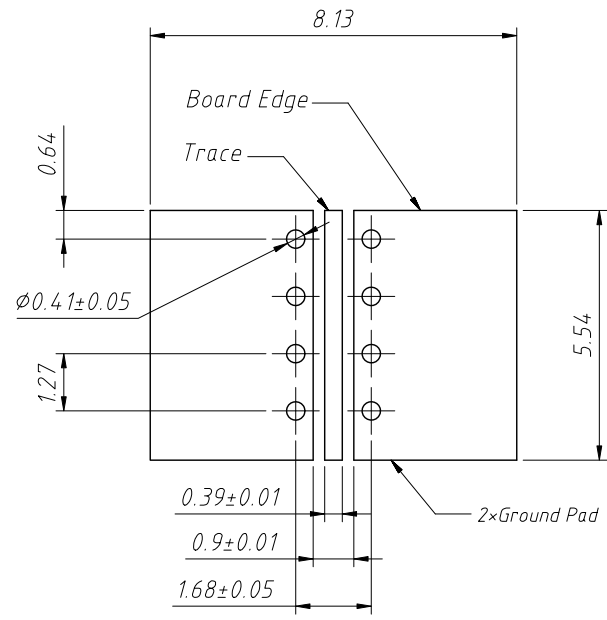


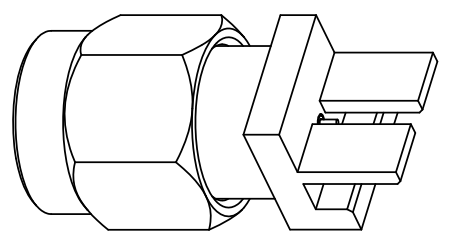
1
RoHS Compliance



Material:
 Body: Brass, Gold Plating
 Contact Pin: Ber. Copper, Gold Plating
 Insulator: PTFE
 Retainer Ring: SUS 304, Natural
 Gasket: Silicon Rubber, Red
 Shell: Brass, Gold Plating

Electrical:
 Impedance: 50Ω
 Frequency Range: 0-6 GHz
 VSWR: $1.05 + 0.02 f$ (GHz) Max.
 @ 0-18 GHz 1.5 Max. @ 18-26.5 GHz
 Working Voltage: 750 VRMS Min, Typ.
 D.W. V: 500 VRMS, Max At Sea Level

Mechanical:
 Durability: 500 Cycles Min.
 Temperature Range: -65°C to $+165^\circ\text{C}$



ANGLE TOLERANCE	PROJECTION	Description:	SMA PCB End Launch Pl 50Ω High Freq (Plug, Male) L17.4mm
$\pm 3^\circ$			
GENERAL TOLERANCE	UNITS	mm	KLS P/N: L-KLS1-SMA089
x.x ± 0.30	SHEET SIZE	A4	
x.xx ± 0.20	Draw:	Daniel	2020-11-11
x.xxx ± 0.10	Check:	Daniel	2020-11-11

