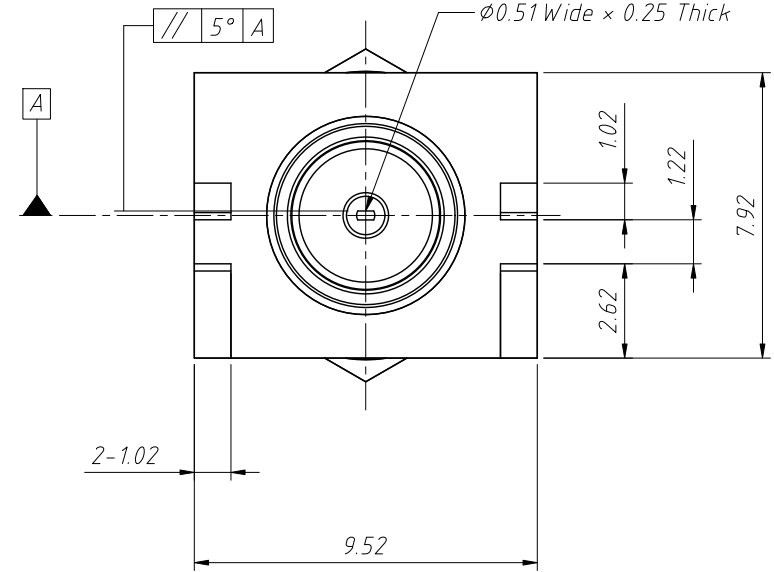
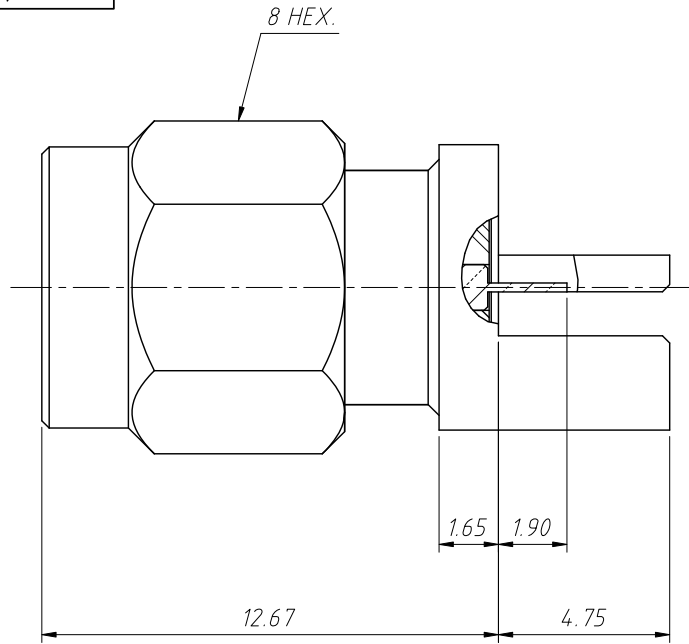


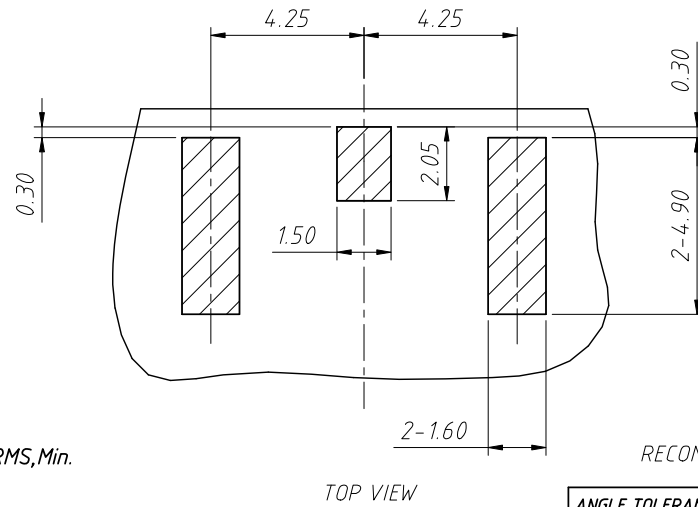
1 RoHS Compliance



Material:
 Body:Brass,Gold Plating
 Contact Pin:Brass,Gold Plating
 Insulator:PTFE ,Natural
 Retainer Ring:SUS 304 ,Natural
 Gasket:Silicone,Red
 Shell:Brass,Gold Plating
 Ring:Brass,Gold Plating

Electrical:
 Impedance:50Ω
 Frequency Range:0-6 GHz
 Dielectric Withstanding Voltage:1000 VRMS,Min.

Mechanical:
 Durability:500 Cycles Min.
 Temperature Range:-65°C to +165°C



RECOMMENDED PCB LAYOUT

BOTTOM VIEW

ANGLE TOLERANCE	PROJECTION	Description:	SMA PCB End Launch Str Pl 50Ω
±3°			0.042 (Plug, Male) L17.4mm
GENERAL TOLERANCE	UNITS	mm	KLS P/N:
x.x ±0.30	SHEET SIZE	A4	L-KLS1-SMA088
x.xx ±0.20	Draw:	Daniel	2020-11-11
x.xxx ±0.10	Check:	Daniel	2020-11-11



NingBo KLS ELECTRONIC CO.,L TD.