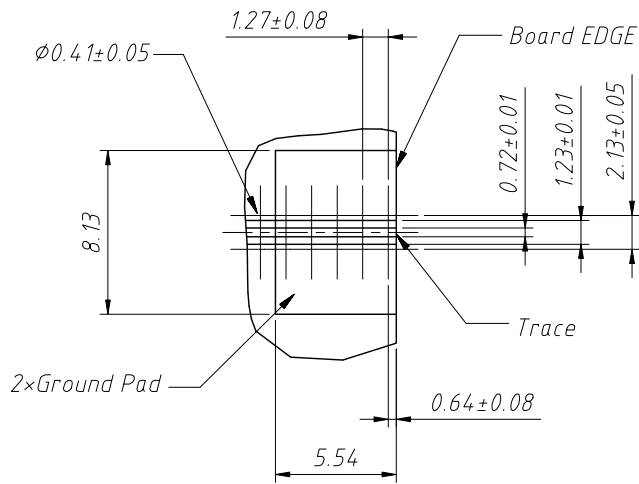
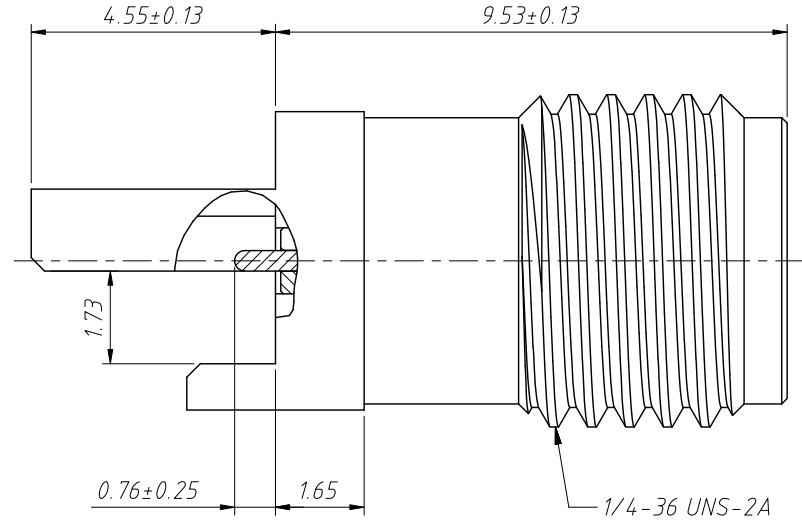
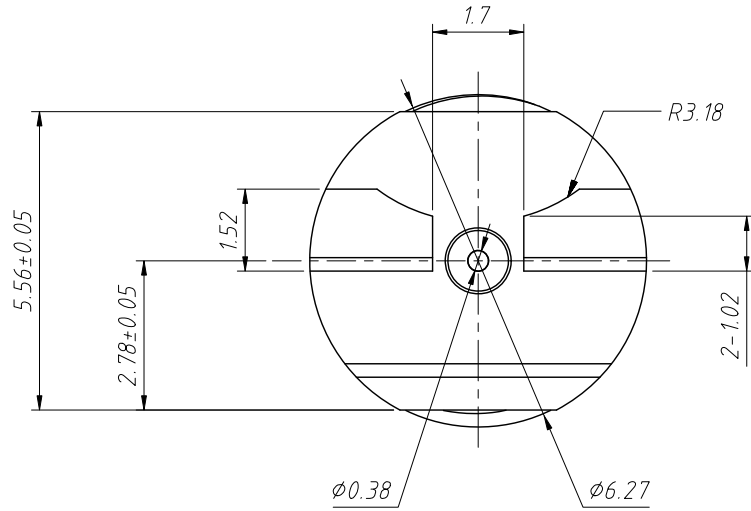
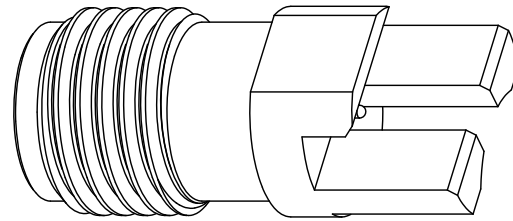


RoHS Compliance



Mounting Footprint



**Material:**

Body:Brass,Gold Plating  
 Contact Pin:Ber.Copper,Gold Plating  
 Insulator:PTFE ,Natural

**Electrical:**

Impedance:50Ω  
 Frequency Range:0-6 GHz  
 Dielectric Withstanding Voltage:1000 VRMS,Min.

**Mechanical:**

Durability:500 Cycles Min.  
 Temperature Range:-65°C to +165°C

ANGLE TOLERANCE	PROJECTION	Description:	SMA PCB End Launch Str Pl 50Ω (Plug, Male) L17.4mm
±3°			
GENERAL TOLERANCE	UNITS	mm	KLS P/N: L-KLS1-SMA087
x.x ±0.30	SHEET SIZE	A4	
x.xx ±0.20	Draw:	Daniel	2020-11-11
x.xxx ±0.10	Check:	Daniel	2020-11-11



NingBo KLS ELECTRONIC CO.,L TD.