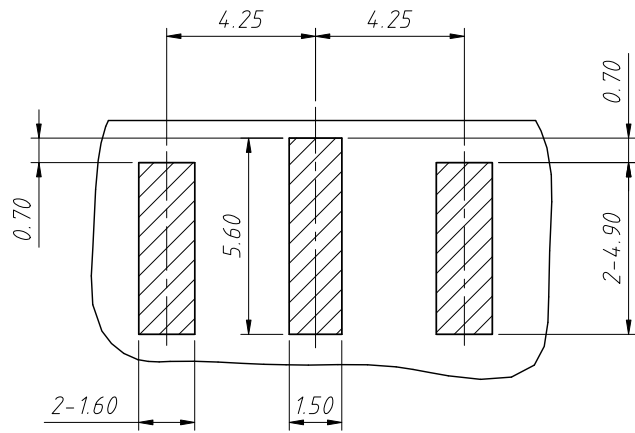
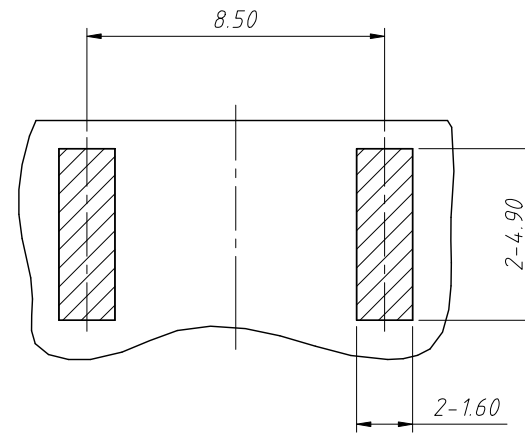


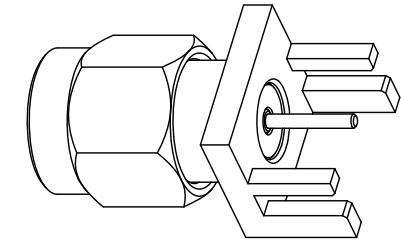
1 RoHS Compliance



TOP VIEW

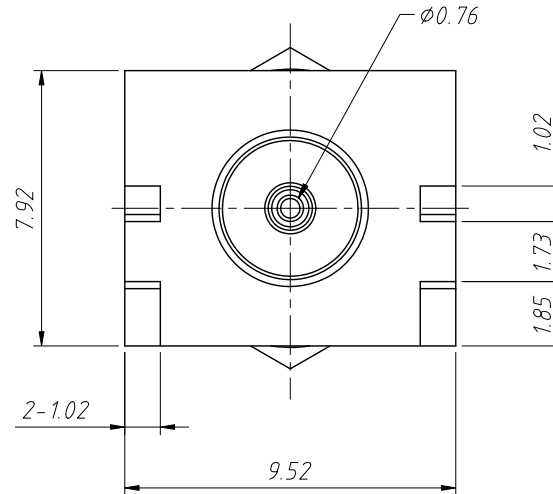
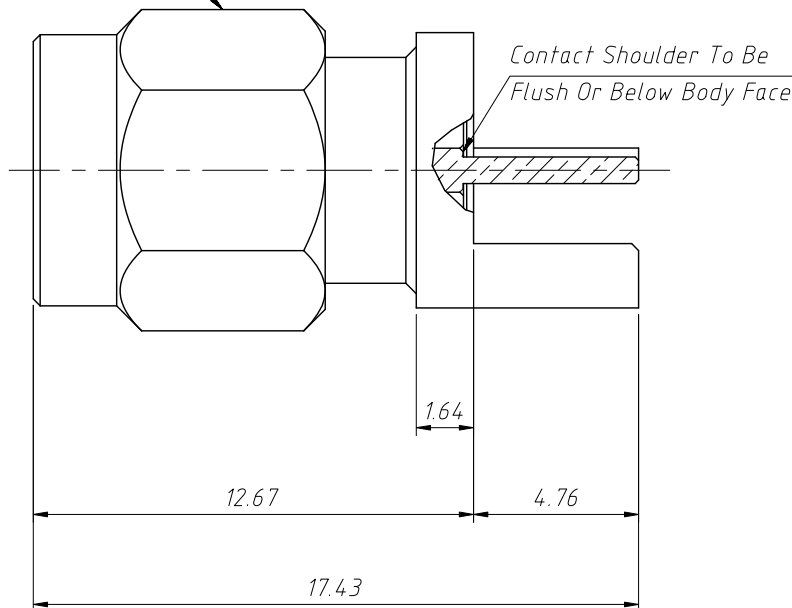


BOTTOM VIEW



RECOMMENDED PCB LAYOUT

8 HEX



Material:

Body:Brass,Gold Plating

Insulator:PTFE,Natural

Contact Pin:Brass,Gold Plating

Shell:Brass,Gold Plating

Gasket:Silicone Rubber,Red

Retainer Ping:Stainless Steel,Natural

Electrical:

Impedance:50 Ω

Frequency Range:0-6 GHz

Dielectric Withstanding Voltage:1000 VRMS Min.

Durability:500Cycles Min

Temperature Range:- 65°C to +165°C

Board Thickness=1.57mm

Contact Pin Must Withstand 6 Lbs Min.

Axial In Both Directions And 4 In -OZ Min.Radial Force.

ANGLE TOLERANCE	PROJECTION	Description:	SMA PCB End Launch Pl 50 Ω 0.062 (Plug, Male) L17.2mm
$\pm 3^\circ$			
GENERAL TOLERANCE	UNITS	mm	KLS P/N: L-KLS1-SMA021
x.x ± 0.30	SHEET SIZE	A4	
x.xx ± 0.20	Draw:	Daniel	2020-11-11
x.xxx ± 0.10	Check:	Daniel	2020-11-11



NingBo KLS ELECTRONIC CO.,L TD.