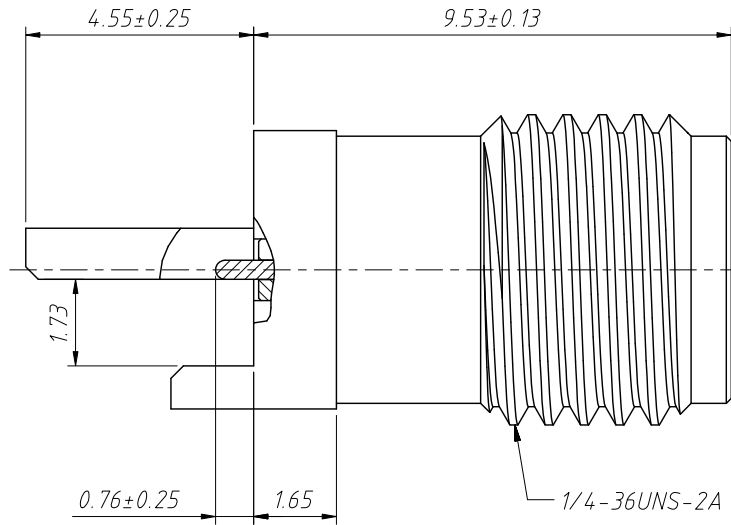
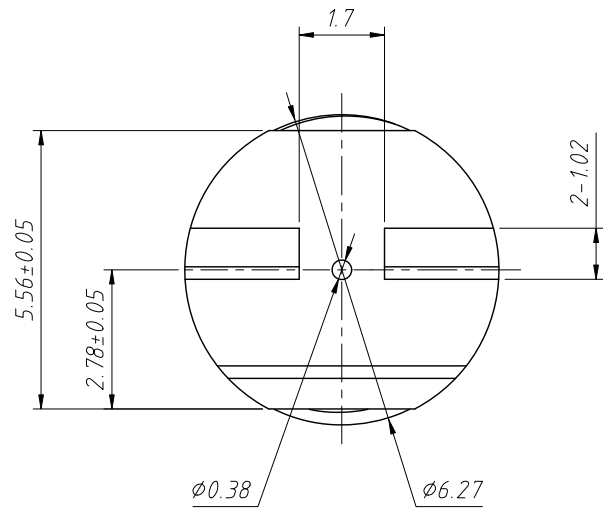


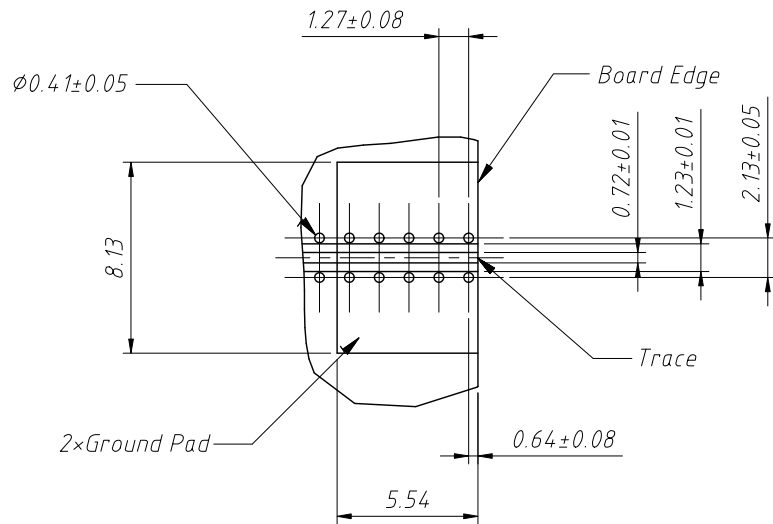
RoHS Compliance



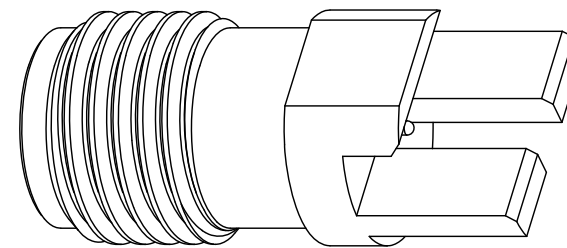
Material:
 Body: Brass, Gold Plating
 Contact Pin: Ber. Copper, Gold Plating
 Insulator: PTFE

Electrical:
 Impedance: 50Ω
 Frequency Range: 0-6 GHz
 VSWR: 1.05+0.02 f (GHz) Max.
 @ 0-18 GHz 1.5 Max. @ 18-26.5 GHz
 D.W. V: 500 VRMS
 Insulation resistance: 1000MΩ Min
 Contact resistance:
 Center Contact-Initial 3.0MΩ Max;
 After Environmental 4.0MΩ Max
 Outer Contact-Initial 2.0 MΩ Max,
 After Environmental not applicable

Mechanical:
 Durability: 500 Cycles Min.
 Temperature Range: -65°C to +165°C
 Engage/Disengage Torque: 2 Inch-Lbs Min.
 Mating Torque: 7-10 IN-LBS When Body
 Supported With Wrench
 8 IN-LBS Max Unsupported
 Contact Retention: 4 LBS Min. Axial Force
 On PCB End
 4 IN-OZ Min. Radial Torque.



Recommended Mounting Footprint



ANGLE TOLERANCE	PROJECTION	Description:	RF Connector SMA PCB End Launch Jk	
±3°			50Ω 0.062 (Jack, Female)	
GENERAL TOLERANCE	UNITS	mm	KLS P/N: L-KLS1-SMA085	
x.x ±0.30	SHEET SIZE	A4	NingBo KLS ELECTRONIC CO.,LTD.	
x.xx ±0.20	Draw:	Daniel		2020-11-11
x.xxx ±0.10	Check:	Daniel		2020-11-11