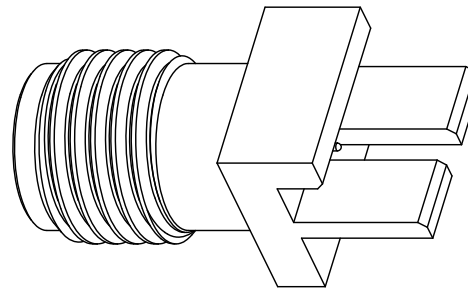
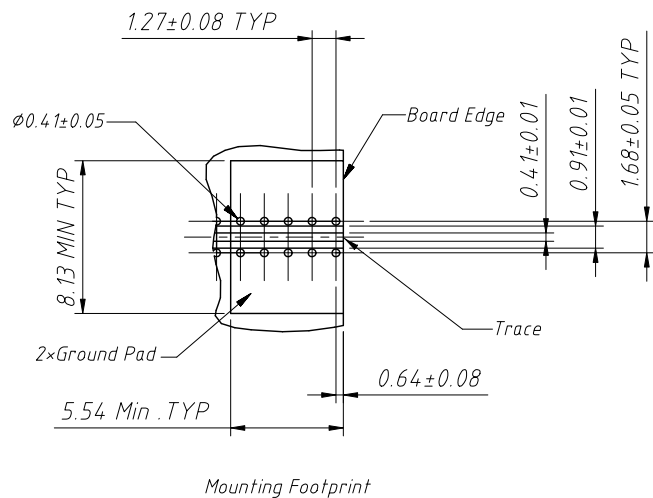
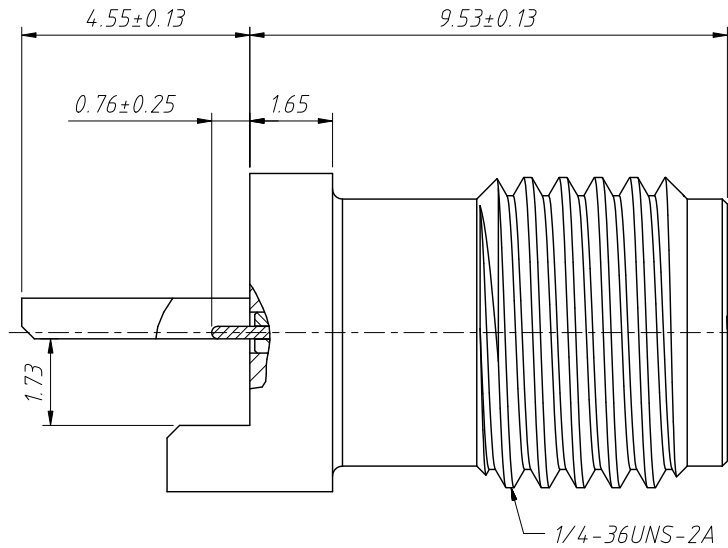
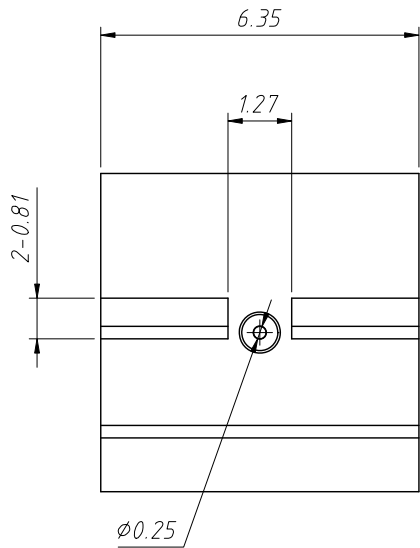


1 RoHS Compliance



**Material:**  
 Body: Brass, Gold Plating  
 Contact Pin: Ber. Copper, Gold Plating  
 Insulator: PTFE

**Electrical:**  
 Impedance: 50Ω  
 Frequency Range: 0-6 GHz  
 VSWR: 1.05+0.02 f (GHz) Max.  
 @ 0-18 GHz 1.5 Max. @ 18-26.5 GHz  
 D.W.V: 500 VRMS  
 Insulation resistance: 1000MΩ Min  
 Contact resistance:  
 Center Contact-Initial 3.0MΩ Max;  
 After Environmental 4.0MΩ Max  
 Outer Contact-Initial 2.0 MΩ Max,  
 After Environmental not applicable

**Mechanical:**  
 Durability: 500 Cycles Min.  
 Temperature Range: -65°C to +165°C  
 Engage/Disengage Torque: 2 Inch-Lbs Min.  
 Mating Torque: 7-10 IN-LBS When Body  
 Supported With Wrench  
 8 IN-LBS Max Unsupported  
 Contact Retention: 4 LBS Min. Axial Force  
 On PCB End  
 4 IN-OZ Min. Radial Torque.

ANGLE TOLERANCE	PROJECTION	Description:	RF Connector SMA PCB End Launch Jk
±3°			50Ω 0.062 High Freq (Jack, Female)
GENERAL TOLERANCE	UNITS	mm	KLS P/N: L-KLS1-SMA081
x.x ±0.30	SHEET SIZE	A4	NingBo KLS ELECTRONIC CO.,L TD.
x.xx ±0.20	Draw:	Daniel	
x.xxx ±0.10	Check:	Daniel	