

Small size photoelectric sensors PSS series



Features

- 18mm threaded cylindrical mounting, easy to install
- Short case for small installation space
- IP67 protection, suitable for harsh environments
- With 360° visible bright LED status indicator;
- Background suppression type, stable detection for both white and black targets;



Model

NPN NO/NC	PSS-YC10DNBR	PNP NO/NC	PSS-YC10DPBR
-----------	--------------	-----------	--------------

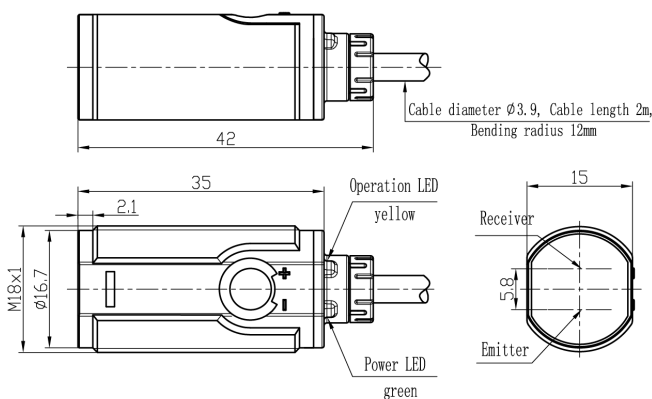
Specifications

Detection type	Background suppression	Indicator	Green LED: power, stable
Detection distance	10cm (unadjustable)		Yellow LED: output, short circuit or overload
Light source	Red light (660nm)	Anti-ambient light	Anti-sunlight interference $\leq 10,000\text{lux}$;
Spot size	8*8mm@10cm		Incandescent light interference $\leq 3,000\text{lux}$
Output	NPN NO/NC or PNP NO/NC	Operating temperature	-20...55 °C
Hysteresis	$\leq 5\%$	Storage temperature	-35...70 °C
Response time	$\leq 0.5\text{ms}$	Protection degree	IP67
Supply voltage	10...30 VDC	Certification	CE
Consumption current	$\leq 20\text{mA}$	Material	Housing: PC+ABS; Filter: PMMA
Load current	$\leq 100\text{mA}$	Connection	2m PVC cable
Voltage drop	$\leq 1.8\text{V}$	Annex	M18 nut (2PCS), instruction manual
Circuit protection	Short-circuit, overload, reverse polarity protection		
NO/NC adjustment	White wire is connected to the positive pole or hang up, NO mode; White wire is connected to the negative pole, NC mode		

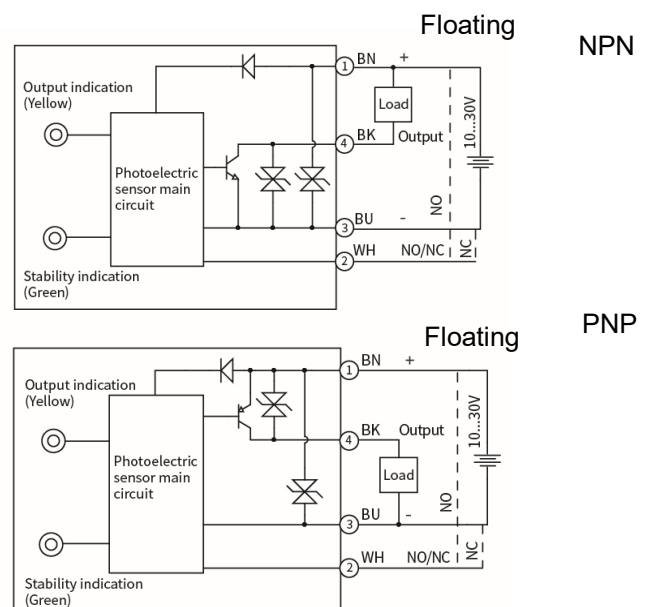
Remarks: ①Detection object is 90% white card with size 20cm * 20cm;

②The green LED becomes weaker, which means that the signal is weaker and the sensor is unstable; The yellow LED flashes, which means that the sensor is shorted or overloaded;

Dimensions



Circuit Diagrams



Small size photoelectric sensors PSS series



Features

- 18mm threaded cylindrical mounting, easy to install
- Short case for small installation space
- IP67 protection, suitable for harsh environments
- With 360° visible bright LED status indicator;
- Background suppression type, stable detection for both white and black targets;



Model

NPN NO/NC	PSS-YC10DNBR	PNP NO/NC	PSS-YC10DPBR
-----------	--------------	-----------	--------------

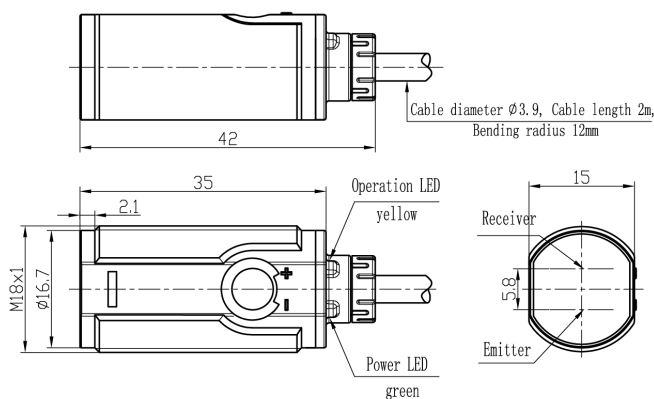
Specifications

Detection type	Background suppression	Indicator	Green LED: power, stable
Detection distance	10cm (unadjustable)		Yellow LED: output, short circuit or overload
Light source	Red light (660nm)	Anti-ambient light	Anti-sunlight interference $\leq 10,000\text{lux}$;
Spot size	8*8mm@10cm		Incandescent light interference $\leq 3,000\text{lux}$
Output	NPN NO/NC or PNP NO/NC	Operating temperature	-20...55 °C
Hysteresis	$\leq 5\%$	Storage temperature	-35...70 °C
Response time	$\leq 0.5\text{ms}$	Protection degree	IP67
Supply voltage	10...30 VDC	Certification	CE
Consumption current	$\leq 20\text{mA}$	Material	Housing: PC+ABS; Filter: PMMA
Load current	$\leq 100\text{mA}$	Connection	2m PVC cable
Voltage drop	$\leq 1.8\text{V}$	Annex	M18 nut (2PCS), instruction manual
Circuit protection	Short-circuit, overload, reverse polarity protection		
NO/NC adjustment	White wire is connected to the positive pole or hang up, NO mode; White wire is connected to the negative pole, NC mode		

Remarks: ①Detection object is 90% white card with size 20cm * 20cm;

②The green LED becomes weaker, which means that the signal is weaker and the sensor is unstable; The yellow LED flashes, which means that the sensor is shorted or overloaded;

Dimensions



Circuit Diagrams

