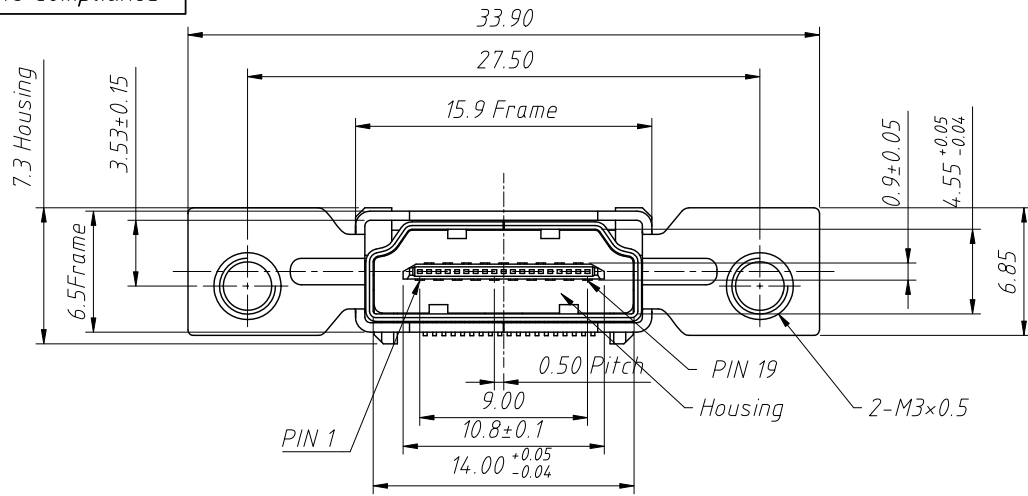


RoHS Compliance



Notes:

Materials:

Housing:LCP UL94V-0

Cap:LCP UL94V-0

Contact:Brass,Selevite Gold Finished

Shell:Brass,Nickel Plated

Frame:SPCC,Nickel Plated

Electrical:

Current Rating:0.5 AMP

Voltage Rating:40V AC

Contact Resistance:20 mΩ Max.

Dielectric Withstanding Voltage:

500V AC Min

Insulation Resistance: 1000 MΩ Min

Mechanical:

Mating Force:4.5kgf Max

Unmating Force:1.0 Kgf Min

Environmental:

Temperature Rating:-40°C ~ +100°C

Order Information

L-KLS1-283-19-2-1-N-1-A

RoHS

Pos.No.

Product Kind

Pin Number

Type:1 Male 2= Female

Shell Material:

1-Brass 2-SPCC

Shell Plate:

N-Nickel 1-1u" 3-3u"

Terminal Plate:

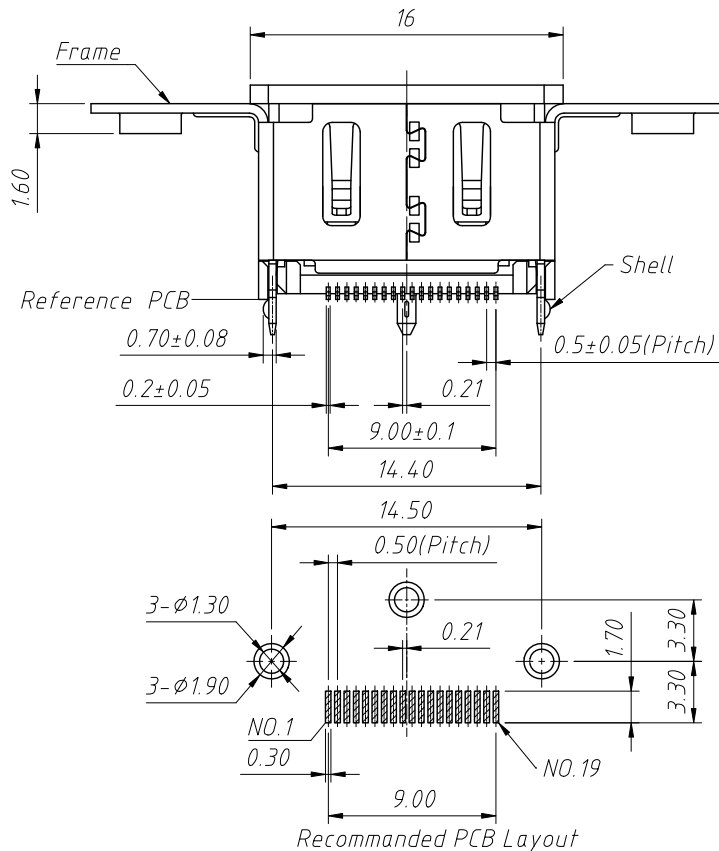
1=1u" 3= 3u" 5= 5u" 10= 10u"

15= 15u" 30= 30u"

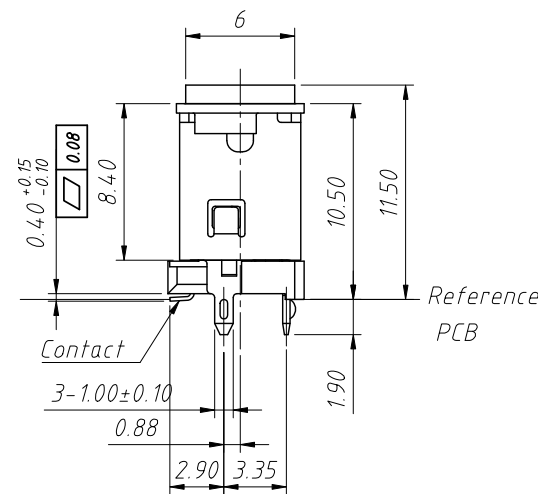
Shell Leg Length Code:

A: DIM A= 1.9mm

B: DIM A= 2.4mm



Recommended PCB Layout
Thickness=1.6mm Tolerance:±0.05mm



ANGLE TOLERANCE	PROJECTION	Description:
±3°		KLS1-283 HDMI Female Vertical SMT 3Posts,With Ear
GENERAL TOLERANCE	UNITS	mm
x.x ±0.30	SHEET SIZE	A4
x.xx ±0.20	Draw:	Daniel
x.xxx ±0.10	Check:	Daniel
		KLS P/N: L-KLS1-283-19-2-1-N-1-A
		NingBo KLS ELECTRONIC CO.,L TD.