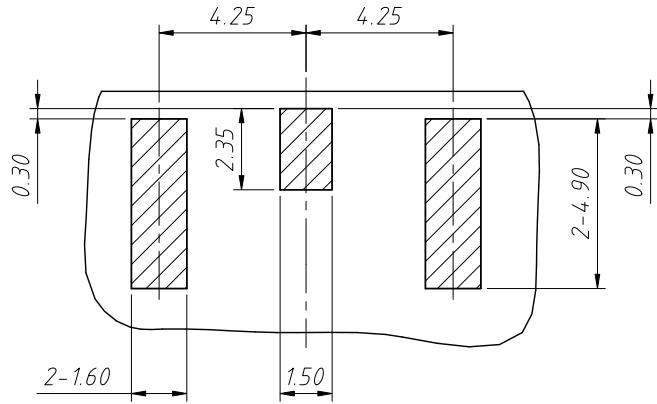
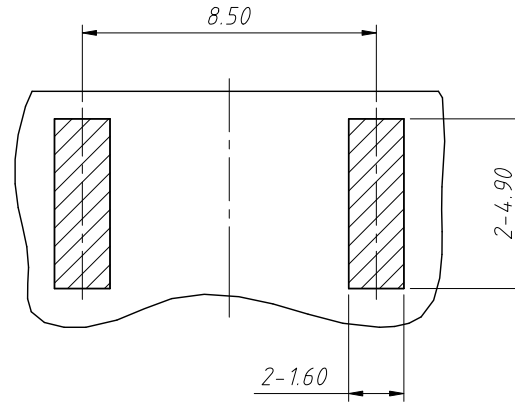


RoHS Compliance



TOP VIEW

RECOMMENDED PCB LAYOUT



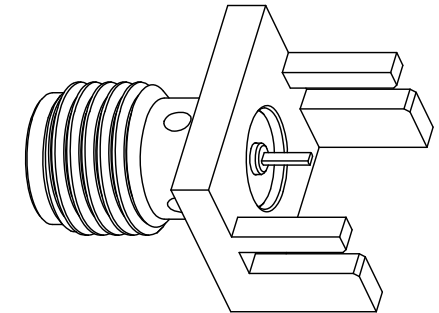
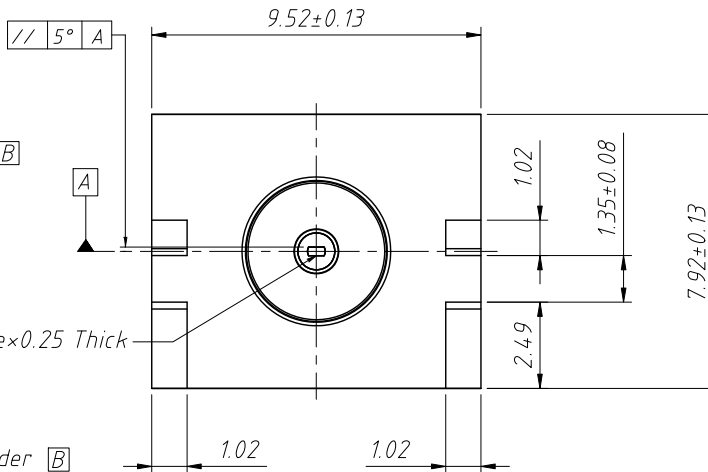
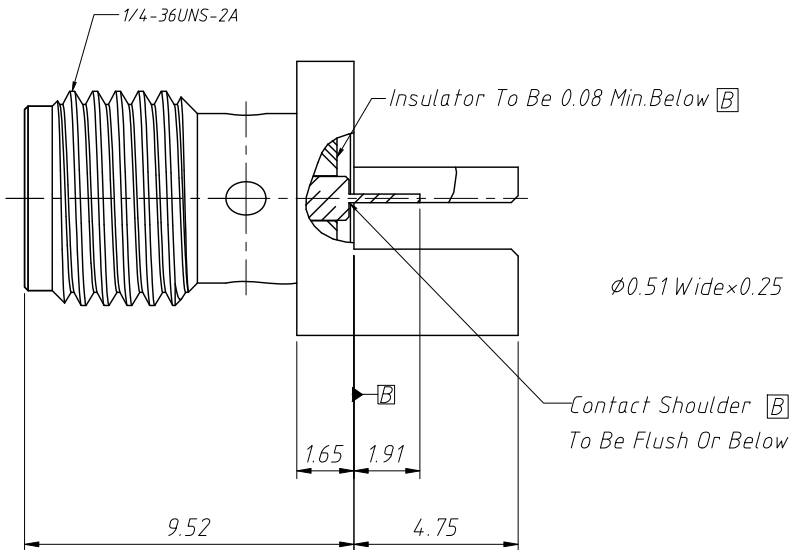
BOTTOM VIEW

Material:

- 1.Body:Brass,Gold Plating
- 2.Insulator:PTFE,Nutral
- 3.Contact Pin:Ber.Copper,Gold Plating

Electrical Specifications:

- 1.Impedance:50Ω
- 2.Frequency Range:0-6GHz
- 3.VSWR:Not Applicable
- 4.Dielectric Withstanding Voltage:1000 vrms Min
- 5.Durability:500 Cycles Min.
- 6.Temperature Range:- 65°C to +165°C
- 7.Contact Pin Must Withstand 6 LBS Min .
Axial In Both Directions And 4 IN-OZ Min .
Radial Force
- 8.Board Thickness=1.19mm



ANGLE TOLERANCE	PROJECTION	Description:	RF Connector SMA PCB End Launch Jack Female 50Ω
±3°			
GENERAL TOLERANCE	UNITS	mm	KLS P/N: L-KLS1-SMA067
x.x ±0.30	SHEET SIZE	A4	
x.xx ±0.20	Draw:	Daniel	2020-11-11
x.xxx ±0.10	Check:	Daniel	2020-11-11



NingBo KLS ELECTRONIC CO.,L.TD.