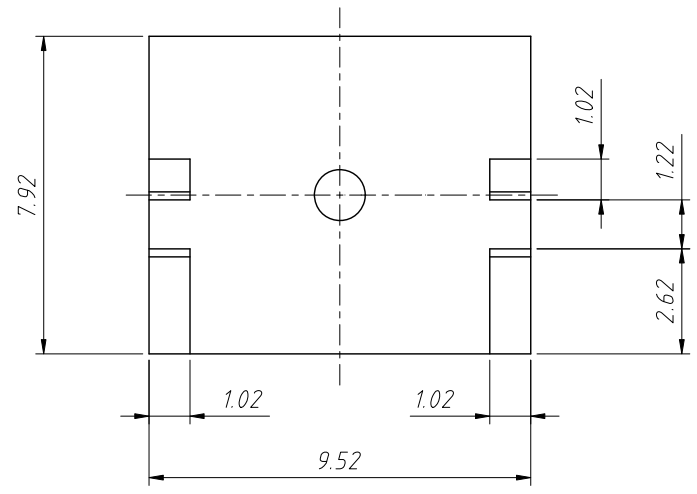
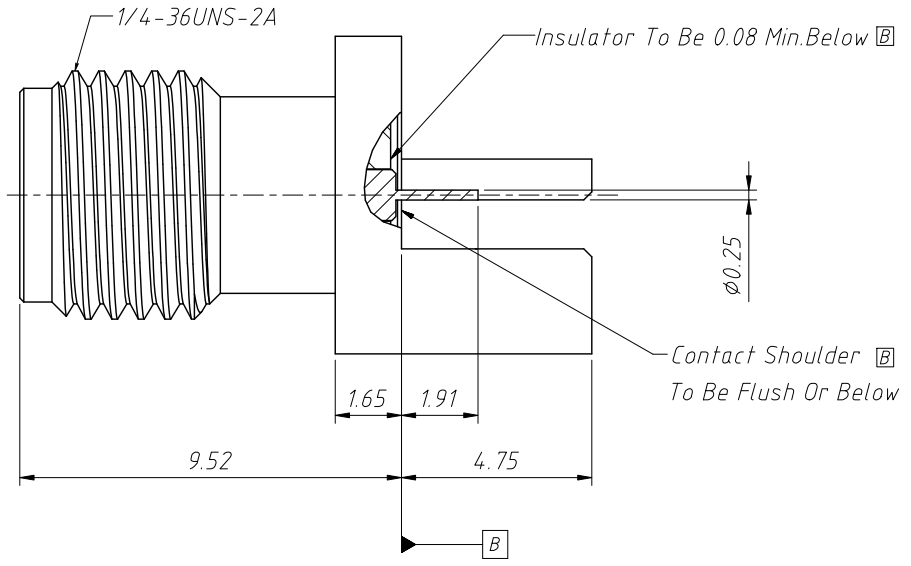
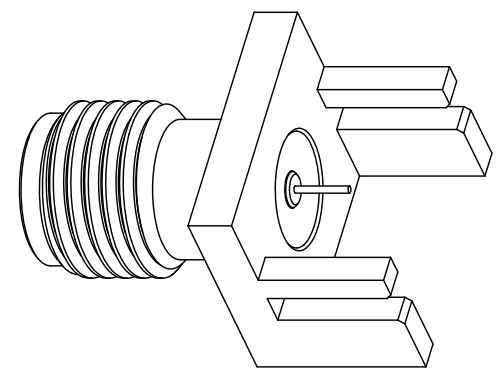


1  
RoHS Compliance



- Material:**
- 1.Body:Brass,Gold Plating
  - 2.Insulator:PTFE,Neutral
  - 3.Contact Pin:Beryllium Copper,Gold Plating
- Electrical Specifications:**
- 1.Impedance:50 $\Omega$
  - 2.Frequency Range:0-6GHz
  - 3.VSWR:1.28 Max
  - 4.Dielectric Withstanding Voltage:1000 vrms Min
- Mechanical:**
- 1.Durability:500 Cycles Min.
  - 2.Temperature Range:- 65°C to +165°C



ANGLE TOLERANCE	PROJECTION	Description:	RF Connector SMA PCB End Launch Jack Female 50 $\Omega$	
$\pm 3^\circ$				
GENERAL TOLERANCE	UNITS	mm	KLS P/N:	L-KLS1-SMA066
x.x $\pm 0.30$	SHEET SIZE	A4		
x.xx $\pm 0.20$	Draw:	Daniel	2020-11-11	NingBo KLS ELECTRONIC CO.,L TD.
x.xxx $\pm 0.10$	Check:	Daniel	2020-11-11	