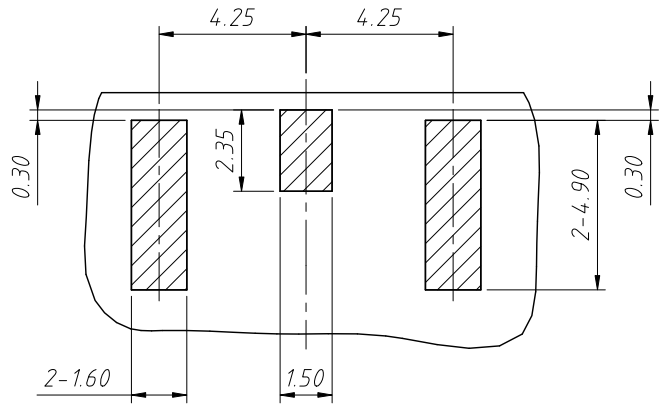
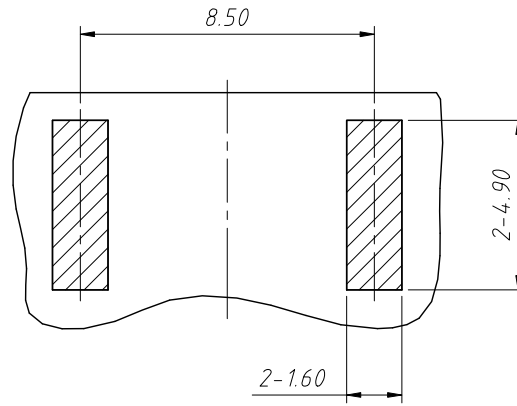


1 RoHS Compliance



TOP VIEW

RECOMMENDED PCB LAYOUT



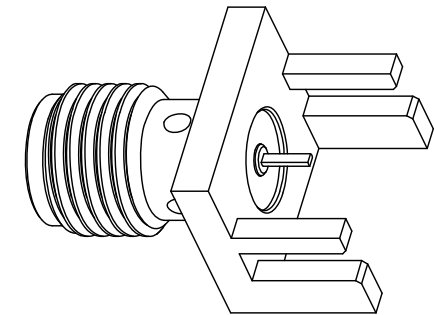
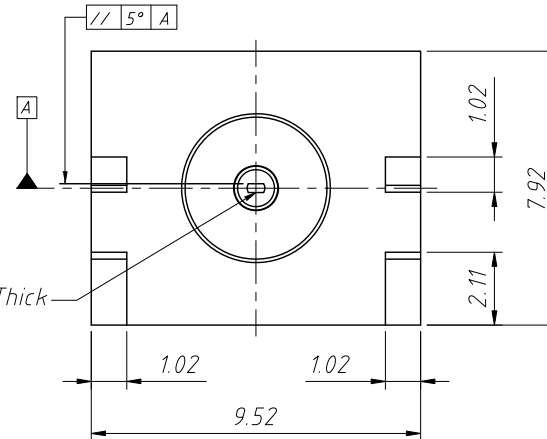
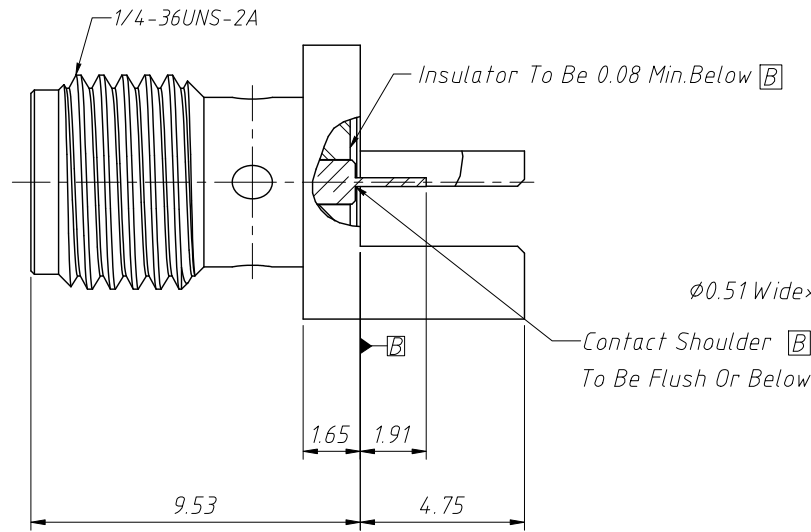
BOTTOM VIEW

Material:

- 1.Body:Brass,Gold Plating
- 2.Insulator:PTFE,Neutral
- 3.Contact Pin:Ber.Copper,Gold Plating

Electrical Specifications:

- 1.Impedance:50Ω
- 2.Frequency Range:0-6 GHz
- 3.VSWR:Not Applicable
- 4.Dielectric Withstanding Voltage:1000 vrms Min
- 5.Durability:500 Cycles Min.
- 6.Temperature Range:- 65°C to +165°C
- 7.Contact Pin Must Withstand 6 LBS Min .
Axial In Both Directions And 4 IN-OZ Min .
Radial Force
- 8.Bottom Of Contact To Be In Line With
Mounting Leg Within
- 9.Board Thickness=1.57mm



| | | | |
|-------------------|------------|--------------|---|
| ANGLE TOLERANCE | PROJECTION | Description: | RF Connector SMA PCB End Launch Jack Female 50Ω |
| ±3° | | | |
| GENERAL TOLERANCE | UNITS | mm | KLS P/N: L-KLS1-SMA063 |
| x.x ±0.30 | SHEET SIZE | A4 | |
| x.xx ±0.20 | Draw: | Daniel | 2020-11-11 |
| x.xxx ±0.10 | Check: | Daniel | 2020-11-11 |



NingBo KLS ELECTRONIC CO.,L TD.