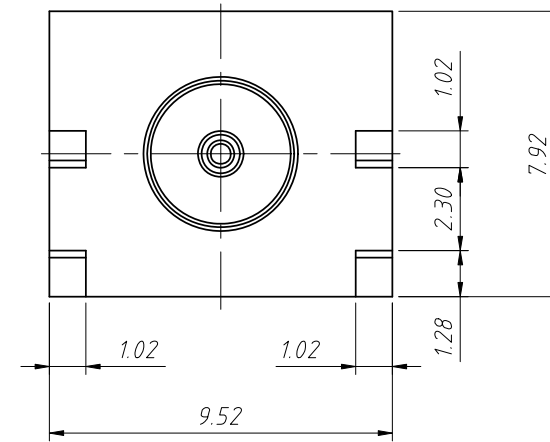
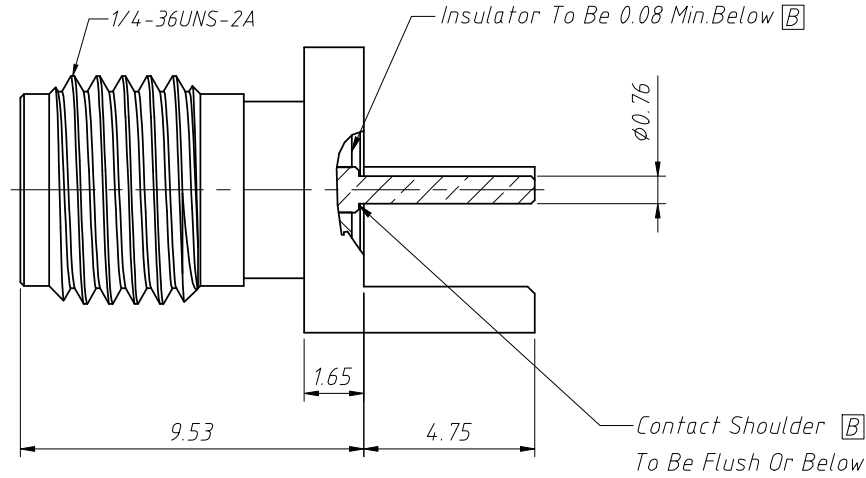


1 RoHS Compliance

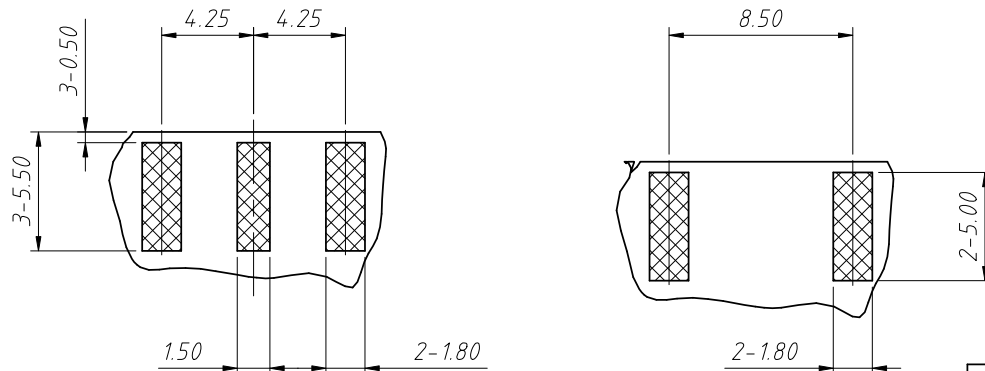


**Material:**

- 1. Body: Brass, Gold Plating
- 2. Insulator: PTFE, Neutral
- 3. Contact Pin: Ber. Copper, Gold Plating

**Electrical Specifications:**

- 1. Impedance: 50 $\Omega$
- 2. Frequency Range: 0-6 GHz
- 3. VSWR: Not Applicable
- 4. Dielectric Withstanding Voltage: 1000 vrms Min
- 5. Durability: 500 Cycles Min.
- 6. Temperature Range: -65°C to +165°C
- 7. Contact Pin Must Withstand 6 LBS Min.  
 Axial In Both Directions And 4 IN-OZ Min.  
 Radial Force
- 8. Board Thickness = 0.81mm



TOP VIEW      RECOMMENDED PCB LAYOUT      BOTTOM VIEW

ANGLE TOLERANCE	PROJECTION	Description:	RF Connector SMA PCB End Launch Jack Female 50 $\Omega$
$\pm 3^\circ$			
GENERAL TOLERANCE	UNITS	mm	KLS P/N: L-KLS1-SMA062
x.x $\pm 0.30$	SHEET SIZE	A4	
x.xx $\pm 0.20$	Draw:	Daniel	2020-11-11
x.xxx $\pm 0.10$	Check:	Daniel	2020-11-11



NingBo KLS ELECTRONIC CO.,L TD.