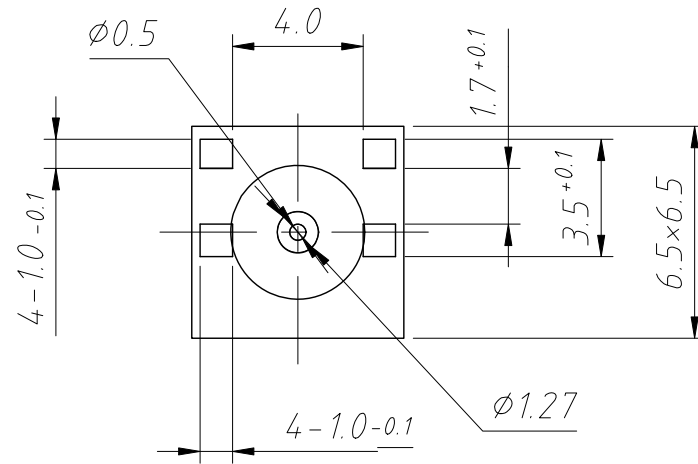
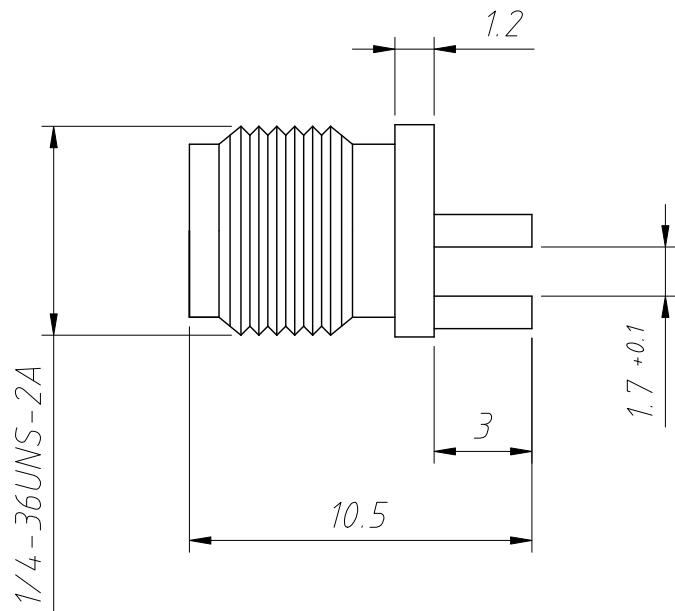


1 RoHS Compliance



Order Information

L-KLS1-SMA057

Type:
Female-SMA057 ; Male-SMA057B

Part Number

RoHS

Material:

Body:RoHS Brass

Plating:Gold plated

Electrical Specifications:

Impedance:50Ω

Frequency Range:0-6GHz

Durability:500Cycles Min.

ANGLE TOLERANCE	PROJECTION	Description:	PCB Edge Mount End Launch SMA Connector Straight (Jack, Female & Male,50Ω)
±3°			
GENERAL TOLERANCE	UNITS	mm	KLS P/N: L-KLS1-SMA057 & L-KLS1-SMA057B
x.x ±0.30	SHEET SIZE	A4	
x.xx ±0.20	Draw:	Daniel	2020-11-11
x.xxx ±0.10	Check:	Daniel	2020-11-11



NingBo KLS ELECTRONIC CO.,L TD.