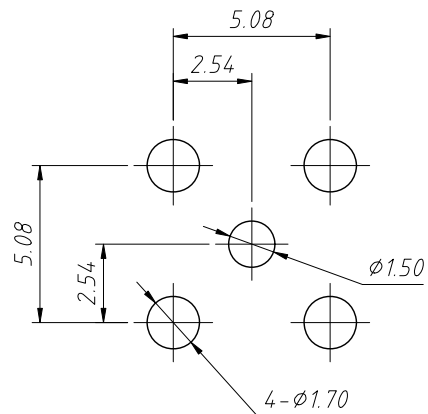
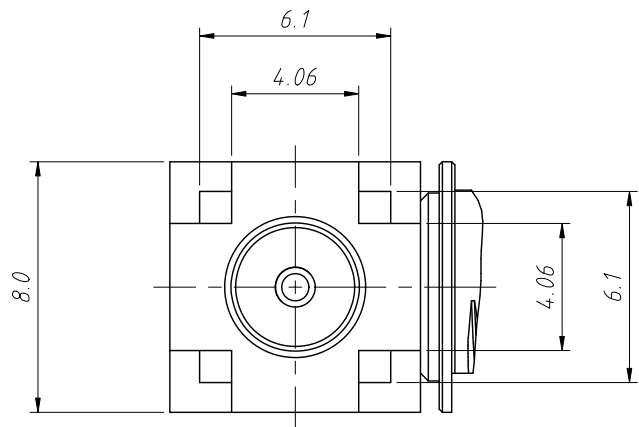
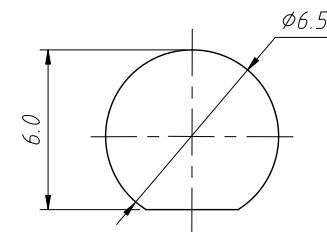
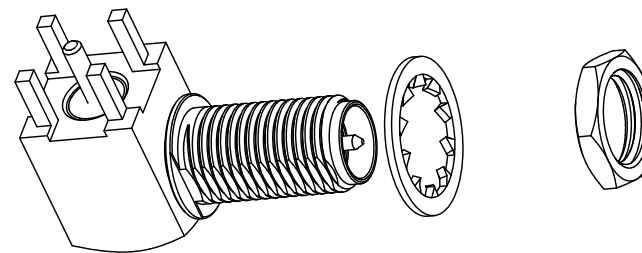


RoHS Compliance



Recommended
PCB Mounting Holes



Recommended
Mounting Hole Dim's

Material:

Body:Brass,Gold Plating

Contact:Brass,Gold Plating

Insulator:PTFE,Natural

Electrical Specifications:

Impedance:50Ω

Frequency Range:0-6 GHz

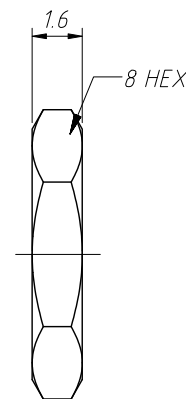
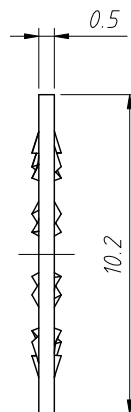
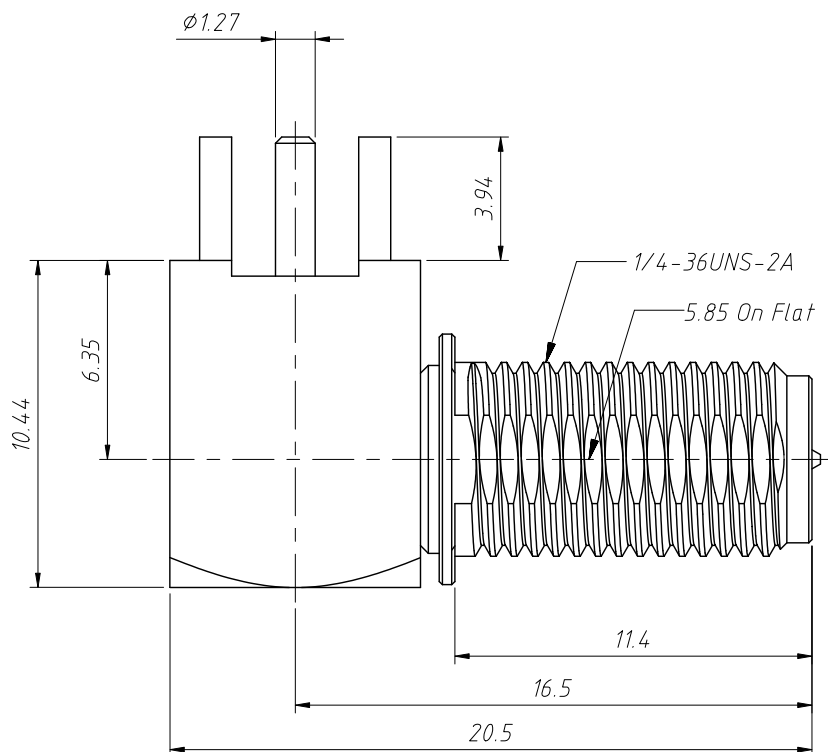
D.W.V:1000 VRMS,Min

Mechanical Specifications:

Durability:500Cycles Min.

Temperature Range: -65°C to +165°C

Max. Panel Thickness 2.4mm



ANGLE TOLERANCE	PROJECTION	Description:	PCB Mount SMA Connector Right Angle (Jack,Female,50Ω)
±3°			
GENERAL TOLERANCE	UNITS	mm	KLS P/N: L-KLS1-SMA006BB
x.x ±0.30	SHEET SIZE	A4	
x.xx ±0.20	Draw:	Daniel	2020-11-11
x.xxx ±0.10	Check:	Daniel	2020-11-11



NingBo KLS ELECTRONIC CO.,LTD.