

# Small size photoelectric sensors PSS series



### Features

- 18mm threaded cylindrical mounting, easy to install
- Short case for small installation space
- Big knob design for easy adjustment
- IP67 protection, suitable for harsh environments
- With 360° visible bright LED status indicator



### Model

NPN NO/NC	PSS-BC100DNB-E2	PNP NO/NC	PSS-BC100DPB-E2
-----------	-----------------	-----------	-----------------

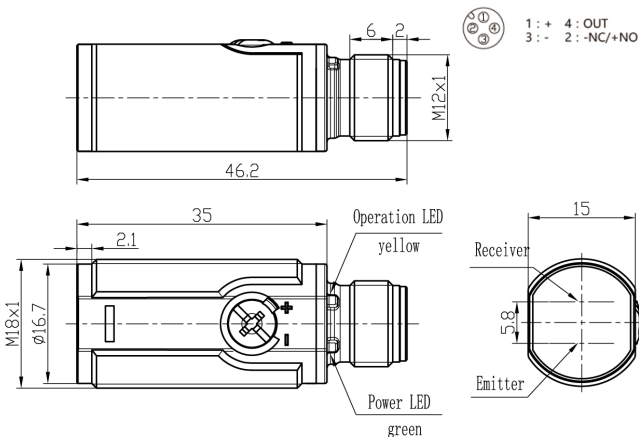
### Specifications

Detection type	Diffuse reflection	Hysteresis	3...20%
Detection distance	100cm	Indicator	Green LED: power, stable Yellow LED: output, short circuit or overload
Light source	Infrared light (940nm)	Anti-ambient light	Anti-sunlight interference ≤ 10,000lux; Incandescent light interference ≤ 3,000lux
Output	NPN NO/NC or PNP NO/NC	Operating temperature	-25...55 °C
Response time	≤0.5ms	Storage temperature	-35...70 °C
Supply voltage	10...30 VDC	Protection degree	IP67
Consumption current	≤20mA	Certification	CE
Load current	≤200mA	Material	Housing: PC+ABS; Filter: PMMA
Voltage drop	≤1V	Annex	M18 nut (2PCS), instruction manual
Distance adjustment	Single-turn potentiometer		
Circuit protection	Short-circuit, overload, reverse polarity protection		
Connection	M12 4-core connector		
NO/NC adjustment	Feet 2 is connected to the positive pole or hang up, NO mode; Feet 2 is connected to the negative pole, NC mode		

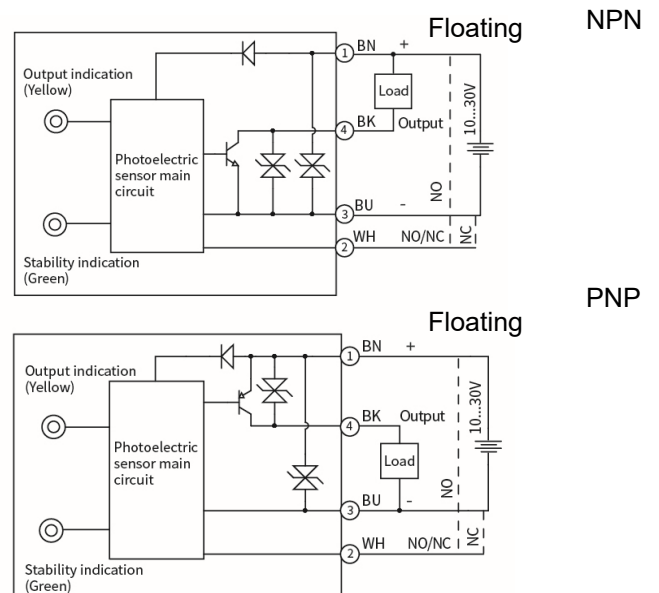
Remarks: ①Detection object is 90% white card with size 20cm \* 20cm;

②The green LED becomes weaker, which means that the signal is weaker and the sensor is unstable; The yellow LED flashes, which means that the sensor is shorted or overloaded;

### Dimensions



### Circuit Diagrams



## Small size photoelectric sensors PSS series



### Features

- 18mm threaded cylindrical mounting, easy to install
- Short case for small installation space
- Big knob design for easy adjustment
- IP67 protection, suitable for harsh environments
- With 360° visible bright LED status indicator



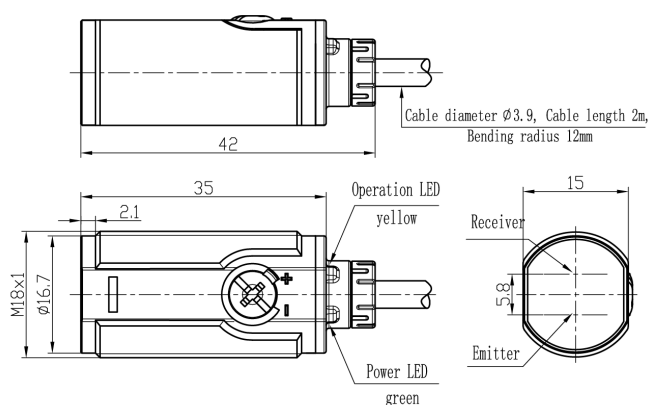
### Model

NPN NO/NC	PSS-BC100DNB	PNP NO/NC	PSS-BC100DPB
-----------	--------------	-----------	--------------

### Specifications

Detection type	Diffuse reflection	Hysteresis	3...20%
Detection distance	100cm	Indicator	Green LED: power, stable
Light source	Infrared light (940nm)		Yellow LED: output, short circuit or overload
Output	NPN NO/NC or PNP NO/NC	Anti-ambient light	Anti-sunlight interference $\leq 10,000\text{lux}$ ; Incandescent light interference $\leq 3,000\text{lux}$
Response time	$\leq 0.5\text{ms}$	Operating temperature	$-25...55\text{ }^\circ\text{C}$
Supply voltage	10...30 VDC	Storage temperature	$-35...70\text{ }^\circ\text{C}$
Consumption current	$\leq 20\text{mA}$	Protection degree	IP67
Load current	$\leq 200\text{mA}$	Certification	CE
Voltage drop	$\leq 1\text{V}$	Material	Housing: PC+ABS; Filter: PMMA
Distance adjustment	Single-turn potentiometer	Annex	M18 nut (2PCS), instruction manual
Circuit protection	Short-circuit, overload, reverse polarity protection		
Connection	2m PVC cable		
NO/NC adjustment	White wire is connected to the positive pole or hang up, NO mode; White wire is connected to the negative pole, NC mode		

### Dimensions



### Circuit Diagrams

