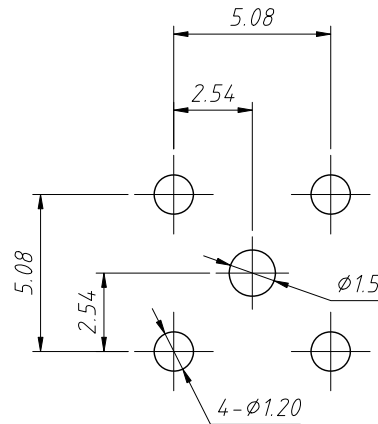
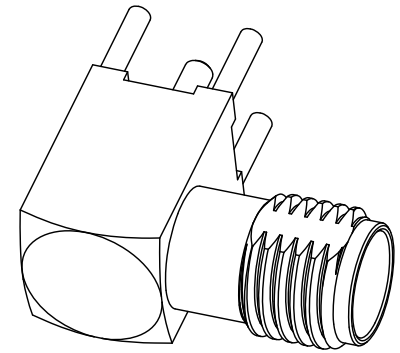
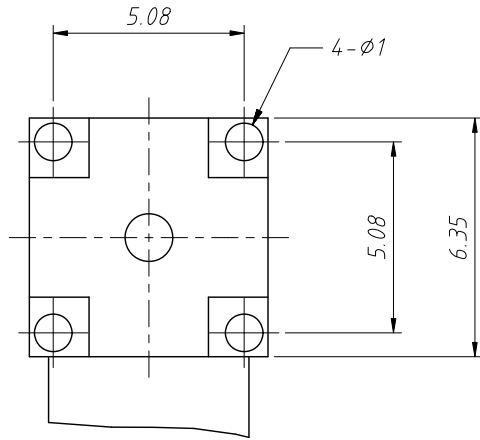
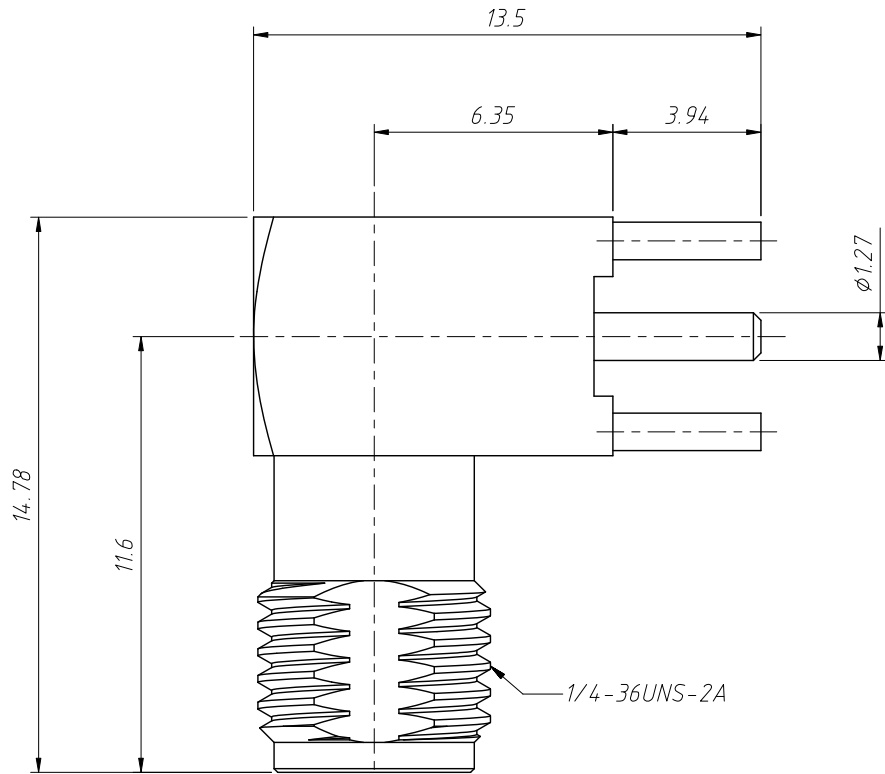


1 RoHS Compliance



PCB Mounting Hole

Material:

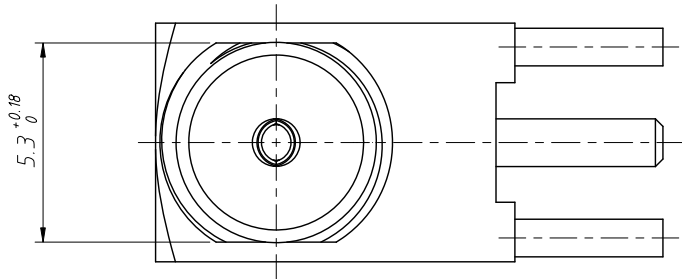
Body: Zinc Alloy, Gold Plating
 Contact: Ber. Copper, Gold Plating
 Insulator: PTFE, Natural

Electrical Specifications:

Impedance: 50Ω
 Frequency Range: 0-6 GHz
 VSWR: 1.3 Max.
 Dielectric Withstanding Voltage: 1000 VRMS, Min..

Mechanical Specifications:

Durability: 500 Cycles Min.
 Temperature Range: -65°C to +165°C
 Recommended Torque Method: Hand Torque Only
 Quantity: Single Pack



ANGLE TOLERANCE	PROJECTION	Description:	PCB Mount SMA Connector Right Angle (Jack, Female, 50Ω)	
±3°				
GENERAL TOLERANCE	UNITS	mm	KLS P/N: L-KLS1-SMA035	
x.x ±0.30	SHEET SIZE	A4	NingBo KLS ELECTRONIC CO.,L.TD.	
x.xx ±0.20	Draw:	Daniel		2020-11-11
x.xxx ±0.10	Check:	Daniel		2020-11-11