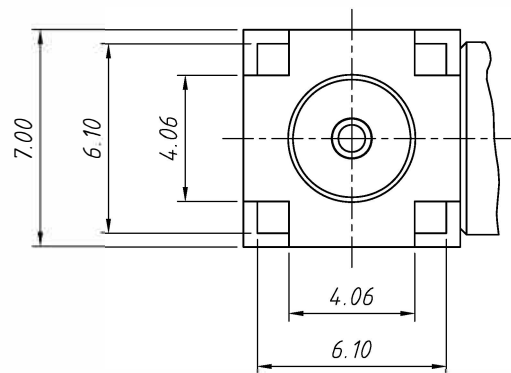
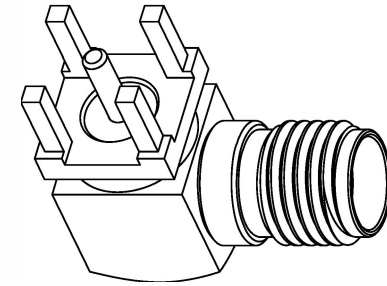
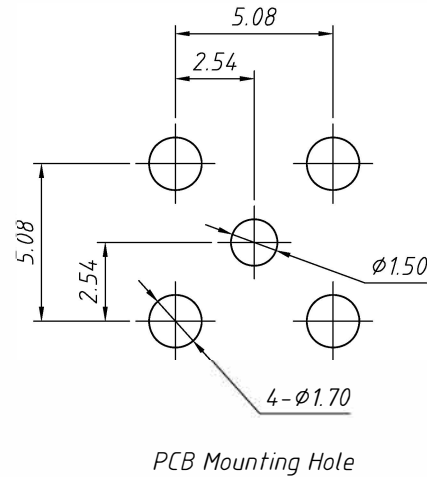
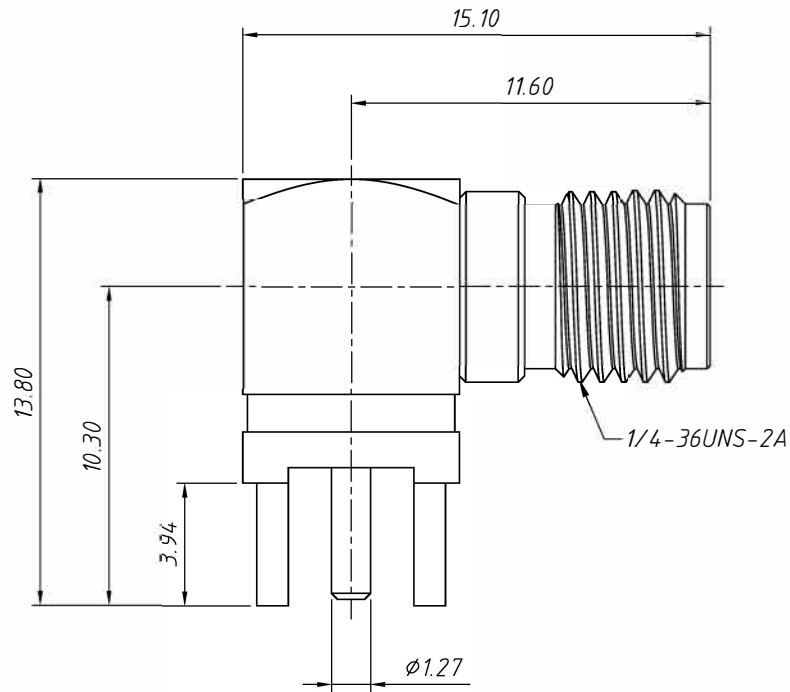


RoHS Compliance



Material:

Housing With Body: Brass, Gold Plating
 Contact Pin: Ber. Copper, Gold Plating
 Insulator: PTFE, Natural

Electrical Specifications:

Impedance: 50Ω
 VSWR: 1.3 Max.
 Frequency Range: 0-6 GHz
 Dielectric Withstanding Voltage: 1000 VRMS, Min

Mechanical Specifications:

Durability: 500 Cycles Min.
 Temperature Range: -65°C to $+165^{\circ}\text{C}$

ANGLE TOLERANCE	PROJECTION	Description:	PCB Mount SMA Connector Right Angle (Jack, Female, 50Ω)
$\pm 3^{\circ}$			
GENERAL TOLERANCE	UNITS	mm	KLS P/N: L-KLS1-SMA002E
x.x ± 0.30	SHEET SIZE	A4	
x.xx ± 0.20	Draw:	Daniel	2020-11-11
x.xxx ± 0.10	Check:	Daniel	2020-11-11



NingBo KLS ELECTRONIC CO., L TD.