

Electrical Specifications:

Impedance: 50Ω

Frequency Range: 0-6 GHz

Flexible cables: 0-12.4 GHz

Voltage Rating : 335 volts rms.

Dielectric Withstanding Voltage : 500 volts rms.

VSWR : 1.15 +0 .02 f (GHz) for Straight connector typical

1.25 +0 .025 f (GHz) for Right angle connector typical

Contact Resistance Center contact: 2.0 mΩ

Body: 2.0 mΩ

Insulation Resistance: 5,000 MΩ

Mechanical Specifications:

Mating: 1/4"-36 UNS thread coupling

Cable retention: 6kgf typical

Durability: 500 Cycles Min.

Coupling nut retention: 18kgf Min.

Temperature Range: - 55°C to +155°C

Material:

Connector body: Brass per QQ-B-626 ,gold Plating or nickel

Center contact Male: Brass, gold Plating

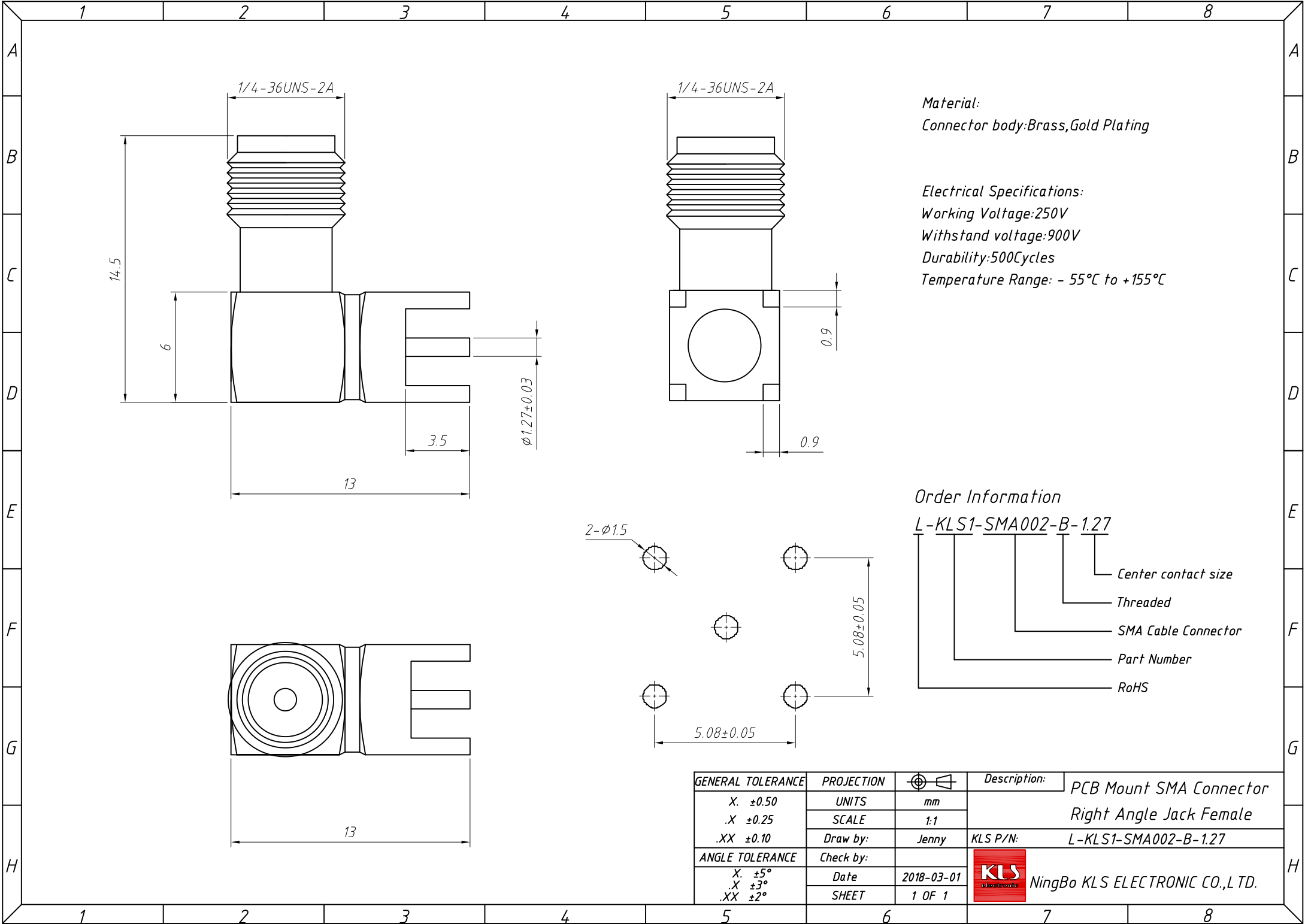
Center contact Female: Beryllium copper, gold Plating

Insulator: PTFE

Gasket: Silicone rubber

Crimp Ferrule: Annealed copper

GENERAL TOLERANCE	PROJECTION		Description:
X. ±0.50	UNITS	mm	PCB Mount SMA Connector Right Angle Jack Female
.X ±0.25	SCALE	1:1	
.XX ±0.10	Draw by:	Jenny	KLS P/N: L-KLS1-SMA002-B
ANGLE TOLERANCE	Check by:		NingBo KLS ELECTRONIC CO.,L TD.
X. ±5°	Date	2018-03-01	
.X ±3°	SHEET	1 OF 1	
.XX ±2°			



Material:
Connector body: Brass, Gold Plating

Electrical Specifications:
Working Voltage: 250V
Withstand voltage: 900V
Durability: 500 Cycles
Temperature Range: - 55°C to +155°C

Order Information

L-KLS1-SMA002-B-1.27

- Center contact size
- Threaded
- SMA Cable Connector
- Part Number
- RoHS

GENERAL TOLERANCE	PROJECTION		Description:
X. ± 0.50	UNITS	mm	PCB Mount SMA Connector Right Angle Jack Female
.X ± 0.25	SCALE	1:1	
.XX ± 0.10	Draw by:	Jenny	KLS P/N: L-KLS1-SMA002-B-1.27
ANGLE TOLERANCE	Check by:		NingBo KLS ELECTRONIC CO.,L TD.
X. $\pm 5^\circ$	Date	2018-03-01	
.X $\pm 3^\circ$	SHEET	1 OF 1	
.XX $\pm 2^\circ$			