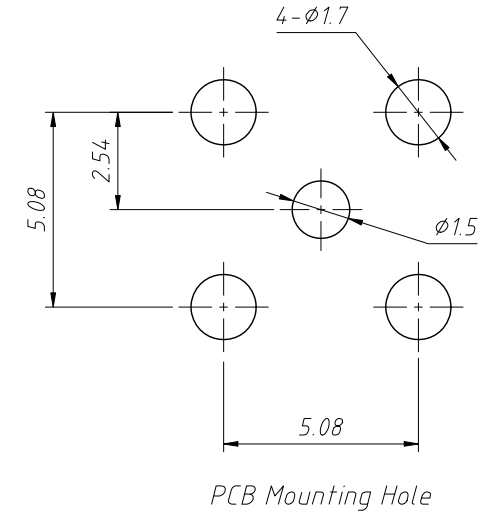
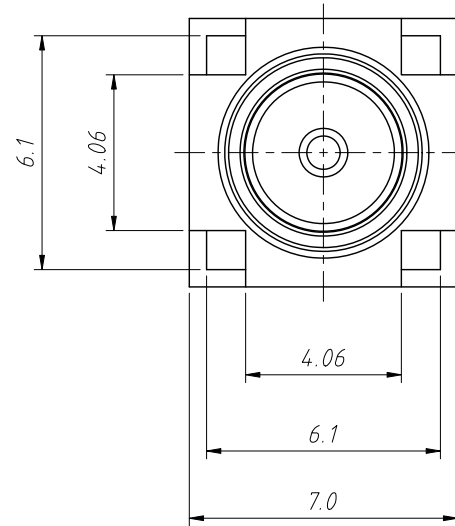
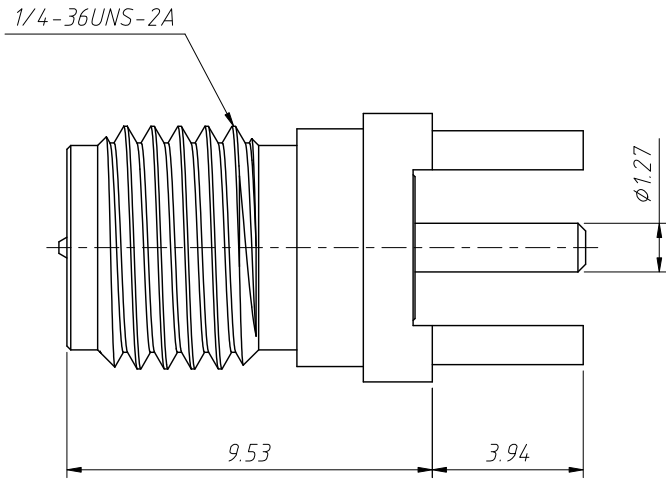


1 RoHS Compliance



Notes:

1. Materials And Finishes:

Body:Brass, Gold Plating

Contact:Brass, Gold Plating

Insulator:PTFE,Natural

2.Electrical:

Impedance:50ΩM

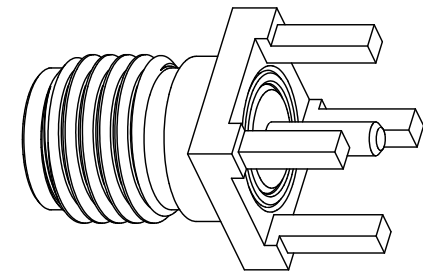
Frequency Range:0-6 GHz

Dielectric Withstanding Voltage :1000VRMS,Min.

3.Mechanical:

Durability:500Cycles Min.

Temperature Range:-65°C TO +165°C



ANGLE TOLERANCE	PROJECTION	Description:	PCB Mount SMA Connector Straight (Jack, Male,50Ω) L13.5mm
±3°			
GENERAL TOLERANCE	UNITS	mm	KLS P/N: L-KLS1-SMA003
x.x ±0.30	SHEET SIZE	A4	
x.xx ±0.20	Draw:	Daniel	2020-11-11
x.xxx ±0.10	Check:	Daniel	2020-11-11



NingBo KLS ELECTRONIC CO.,LTD.