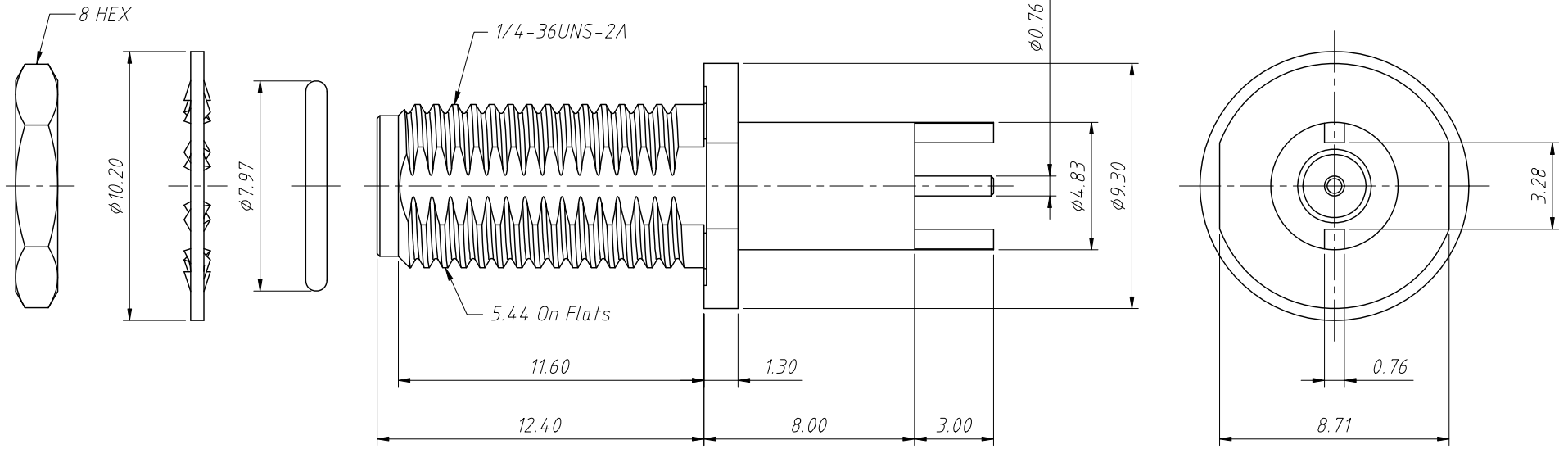


1 RoHS Compliance

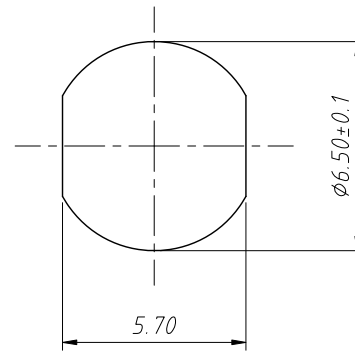


Material:

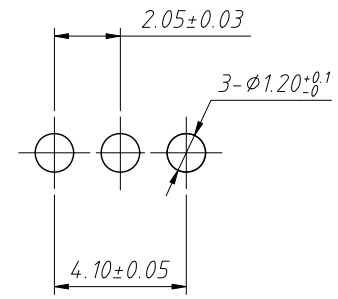
- 1.Body:Brass,Gold Plating
- 2.Insulator:PTFE,Natural
- 3.O-Ping:Silicon Rubber,Red
- 4.Contact Pin:Phosphor Bronze,Gold Plating
- 5.Lock Washer:Brass,Gold Plating
- 6.Hex Nut:Brass,Gold Plating

Electrical:

- 1.Frequency Range:0-6 GHz
- 2.VSWR(Return Loss) :1.35 Max
- 3.Sealing Requirement:IP-68 Must Withstand 30Psi At 1 Meters Of Water
For 30 Minutes Without Any Signs Of Leakage
- 4.Max.Panel Thickness=9.0mm



Recommended Mounting Hole



PCB Mounting Hole

ANGLE TOLERANCE	PROJECTION	Description:	PCB Mount SMA Connector Straight (Jack,Female,50Ω)
±3°			
GENERAL TOLERANCE	UNITS	mm	KLS P/N: L-KLS1-SMA001L
x.x ±0.30	SHEET SIZE	A4	
x.xx ±0.20	Draw:	Daniel	2020-11-11
x.xxx ±0.10	Check:	Daniel	2020-11-11



NingBo KLS ELECTRONIC CO.,LTD.