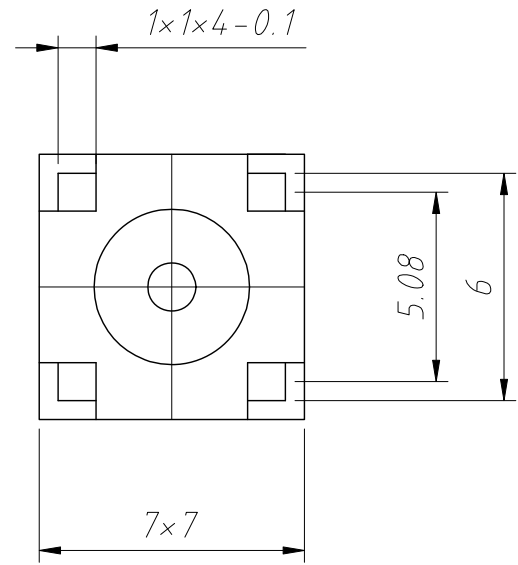
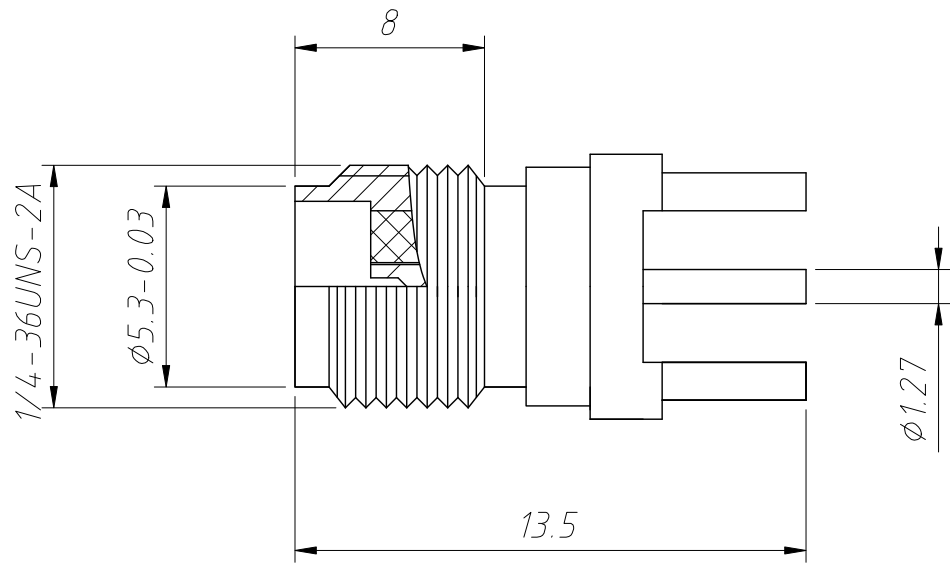


1
RoHS Compliance



Electrical Specifications:
 Impedance: 50Ω
 Frequency Range: 0-6 GHz
 Voltage Rating : 335 volts rms.
 Dielectric Withstanding Voltage : 500 volts rms.
 VSWR : 1.15 +0 .02 f (GHz) for Straight connector typical
 1.25 +0 .025 f (GHz) for Right angle connector typical
 Contact Resistance Center contact: 2.0 mΩ
 Body: 2.0 mΩ
 Insulation Resistance: 5,000 MΩ
Mechanical Specifications:
 Mating: 1/4"-36 UNS thread coupling
 Cable retention: 6kgf typical
 Durability: 500 Cycles Min.
 Coupling nut retention: 18kgf Min.
 Temperature Range: - 55°C to +155°C

Material:
 Connector body: Brass per QQ-B-626 ,gold Plating or nickel
 Center contact Male: Brass,gold Plating
 Center contact Female: Beryllium copper,gold Plating
 Insulator: PTFE
 Gasket: Silicone rubber
 Crimp Ferrule: Annealed copper

ANGLE TOLERANCE	PROJECTION	Description:	PCB Mount SMA Connector Straight (Jack, Female, 50Ω)	
±3°				
GENERAL TOLERANCE	UNITS	mm	KLS P/N:	L-KLS1-SMA253
x.x ±0.30	SHEET SIZE	A4		
x.xx ±0.20	Draw:	Daniel	2018-07-10	NingBo KLS ELECTRONIC CO.,L TD.
x.xxx ±0.10	Check:	Daniel	2018-07-10	