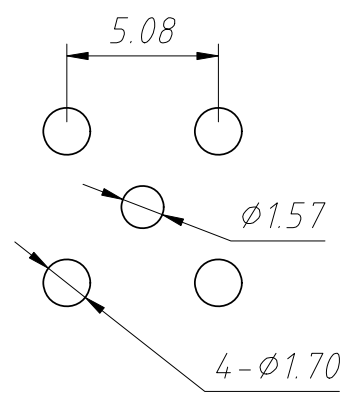
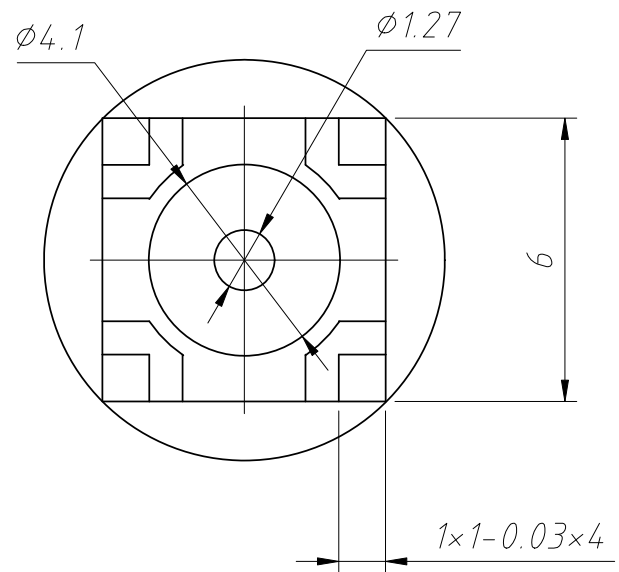
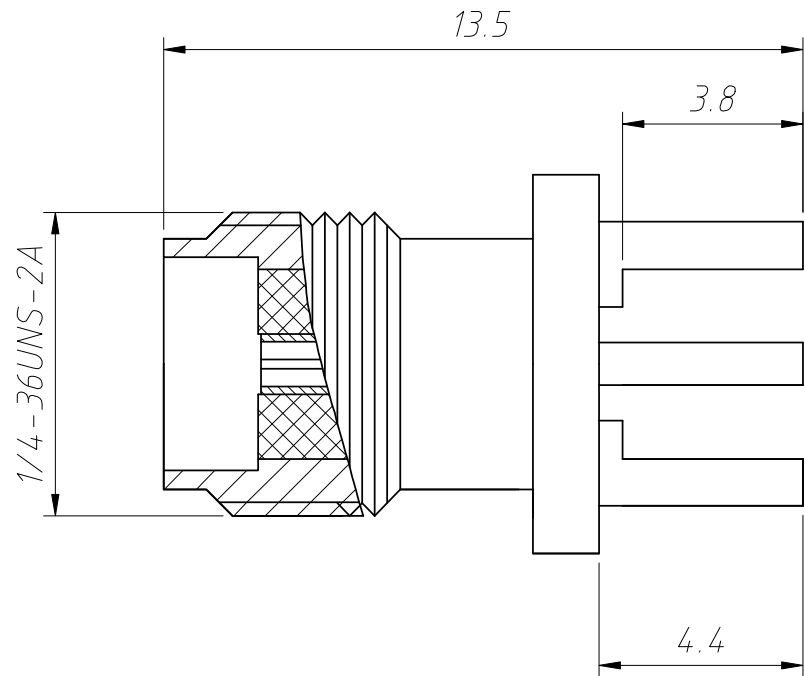


1
RoHS Compliance



Mounting Hole Layout

Specifications:
 Impedance: 50 Ω
 Frequency Range :0-6GHz
 Material: Brass
 Insulation material: Teflon
 Durability:500Cycles Min

ANGLE TOLERANCE	PROJECTION	Description:	PCB Mount SMA Connector With Jack Female Straight Type	
$\pm 3^\circ$				
GENERAL TOLERANCE	UNITS	mm	KLS P/N:	L-KLS1-SMA023
x.x ± 0.30	SHEET SIZE	A4		
x.xx ± 0.20	Draw:	Daniel	2018-07-10	NingBo KLS ELECTRONIC CO.,LTD.
x.xxx ± 0.10	Check:	Daniel	2018-07-10	