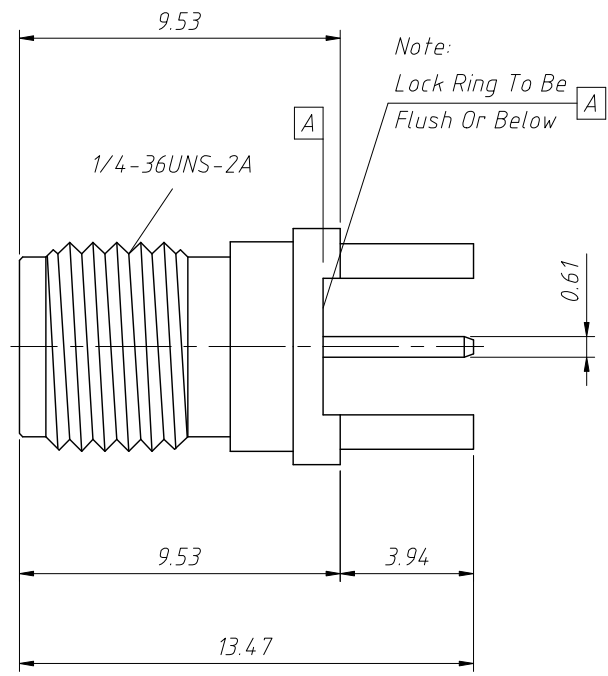
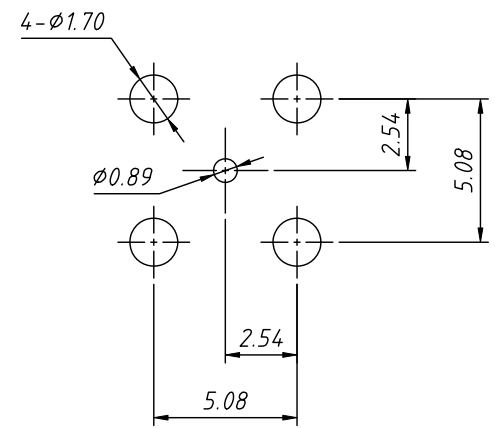
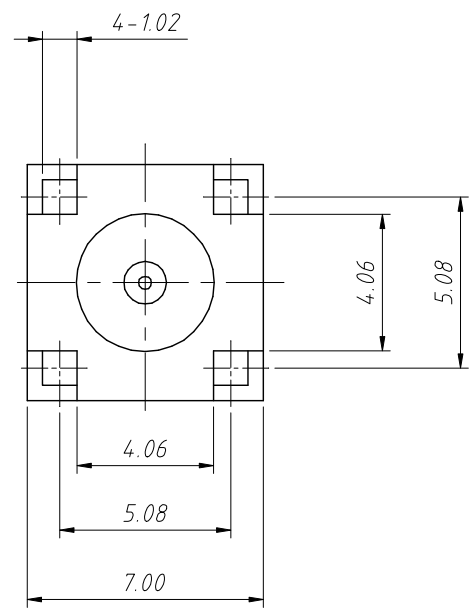


1  
RoHS Compliance



Note:  
Lock Ring To Be  
Flush Or Below



Recommended Mounting Hole Dimensions

Material:  
Body: Brass, Gold Plating  
Contact Pin: Ber. Copper, Gold Plating  
Insulator: Teflon, Natural

Electrical:  
Impedance: 50 $\Omega$   
Frequency Range: 0-6 GHz

Mechanical:  
Durability: 500 Cycles Min.  
Temperature Range: -65 $^{\circ}$ C to +165 $^{\circ}$ C

ANGLE TOLERANCE	PROJECTION	Description:	PCB Mount SMA Connector Straight (Jack, Female, 50 $\Omega$ )	
$\pm 3^{\circ}$				
GENERAL TOLERANCE	UNITS	mm	KLS P/N: L-KLS1-SMA001G	
x.x $\pm 0.30$	SHEET SIZE	A4	NingBo KLS ELECTRONIC CO.,LTD.	
x.xx $\pm 0.20$	Draw:	Daniel		2023-03-21
x.xxx $\pm 0.10$	Check:	Daniel		2023-03-21