

1  
RoHS Compliance

*Electrical Specifications:*

*Impedance: 50Ω*  
*Frequency Range: 0-6GHz*  
*Voltage Rating : 335 volts rms.*  
*Dielectric Withstanding Voltage : 500 volts rms.*  
*VSWR : 1.15 +0 .02 f (GHz) for Straight connector typical*  
*1.25 +0 .025 f (GHz) for Right angle connector typical*  
*Contact Resistance Center contact: 2.0 mΩ*  
*Body: 2.0 mΩ*  
*Insulation Resistance: 5,000 MΩ*

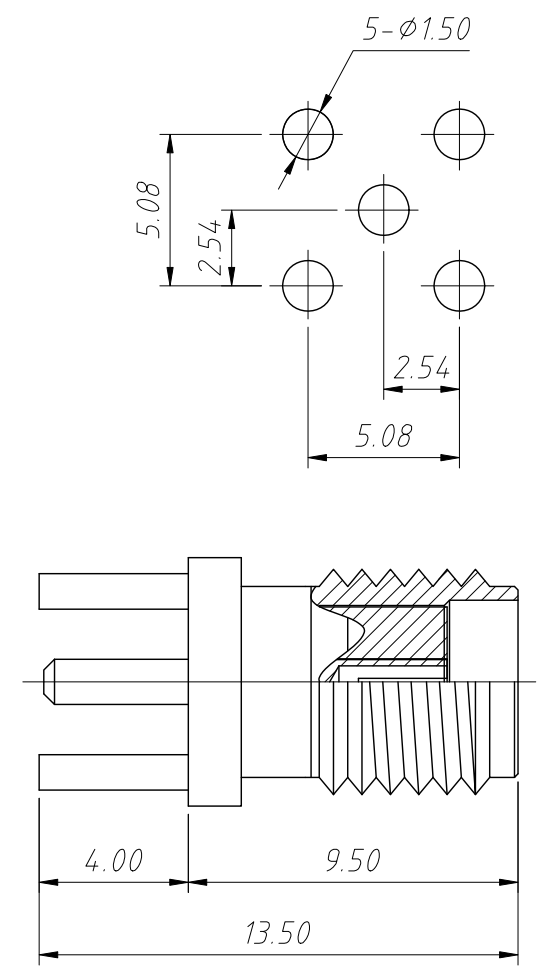
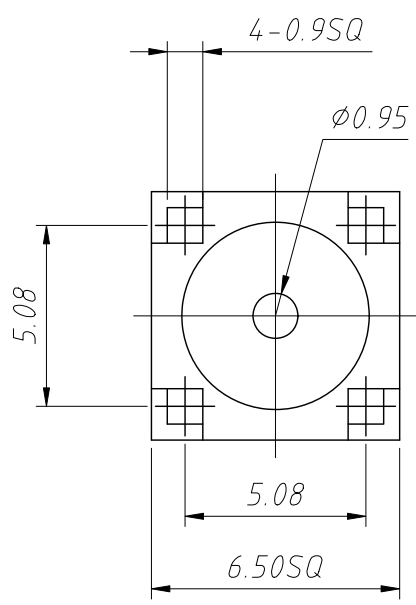
*Mechanical Specifications:*

*Mating: 1/4"-36 UNS thread coupling*  
*Cable retention: 6kgf typical*  
*Durability: 500Cycles Min.*  
*Coupling nut retention: 18kgf Min.*

*Temperature Range: - 55°C to +155°C*

*Material:*

*Connector body: Brass per QQ-B-626 ,gold Plating or nickel*  
*Center contact Male: Brass,gold Plating*  
*Center contact Female: Beryllium copper,gold Plating*  
*Insulator: PTFE*  
*Gasket: Silicone rubber*  
*Crimp Ferrule: Annealed copper*



ANGLE TOLERANCE	PROJECTION	Description:	PCB Mount SMA Connector With Jack Female Straight Type	
±3°				
GENERAL TOLERANCE	UNITS	mm	KLS P/N:	L-KLS1-SMA001
x.x ±0.30	SHEET SIZE	A4		
x.xx ±0.20	Draw:	Daniel	2023-03-21	NingBo KLS ELECTRONIC CO.,L TD.
x.xxx ±0.10	Check:	Daniel	2023-03-21	