

Plastic square shape photoelectric sensors **PTF** series


Features

- ◆ Retro reflection working principle;
- ◆ Excellent anti-interference performance
- ◆ High detection accuracy

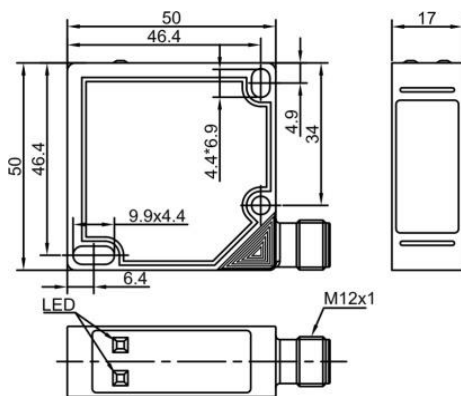
Part number

NPN NO	PTF-DM3DNO-E2	PTF-DM5DNO-E2	PNP NO	PTF-DM3DPO-E2	PTF-DM5DPO-E2
NPN NC	PTF-DM3DNC-E2	PTF-DM5DNC-E2	PNP NC	PTF-DM3DPC-E2	PTF-DM5DPC-E2
NPN NO+NC	PTF-DM3DNR-E2	PTF-DM5DNR-E2	PNP NO+NC	PTF-DM3DPR-E2	PTF-DM5DPR-E2

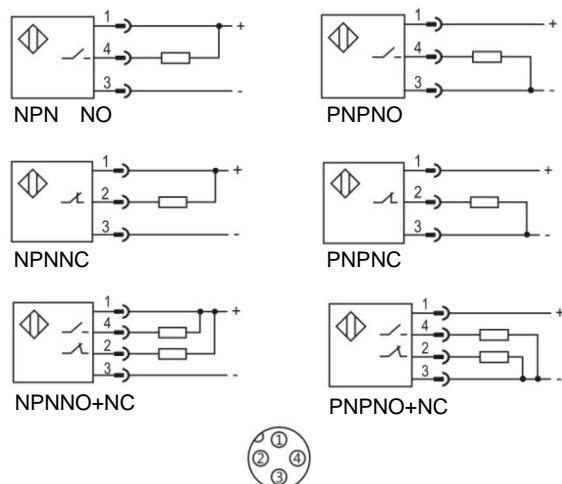
Technical specifications

Detection type	Retro reflection	Consumption current	≤25mA
Rated distance [Sn]	3m (non-adjustable) 5m (non-adjustable)	Circuit protection	Short-circuit, overload and reverse polarity
Standard target	TD-09 reflector	Response time	< 8.2ms
Light source	Infrared LED (880nm)	Output indicator	Yellow LED
Dimensions	50 mm *50 mm *17 mm	Ambient temperature	-15°C...+55°C
Output	NO/NC(depends on part No.)	Ambient humidity	35-85%RH (non-condensing)
Supply voltage	10...30 VDC	Voltage withstand	1000V/AC 50/60Hz 60s
Target	Opaque object	Insulation resistance	≥50MΩ(500VDC)
Hysteresis range [%/Sr]		Vibration resistance	10...50Hz (0.5mm)
Repeat accuracy [R]	≤5%	Degree of protection	IP64
Load current	≤200mA	Housing material	PC/ABS
Residual voltage	≤2.5V	Connection type	M12 Connector

Dimensions



Wiring diagram



Plastic square shape photoelectric sensors **PTF** series


Features

- ◆ Retro reflection working principle;
- ◆ Excellent anti-interference performance
- ◆ High detection accuracy

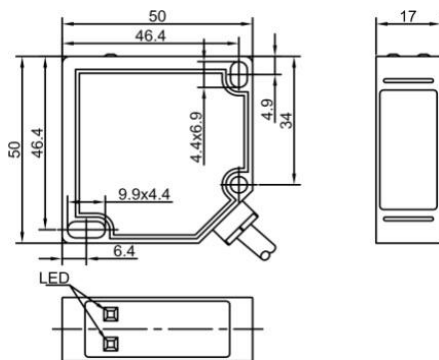
Part number

NPN NO	PTF-DM3DNO	PTF-DM5DNO	PNP NO	PTF-DM3DPO	PTF-DM5DPO
NPN NC	PTF-DM3DNC	PTF-DM5DNC	PNP NC	PTF-DM3DPC	PTF-DM5DPC
NPN NO+NC	PTF-DM3DNR	PTF-DM5DNR	PNP NO+NC	PTF-DM3DPR	PTF-DM5DPR

Technical specifications

Detection type	Retro reflection	Consumption current	≤25mA
Rated distance [Sn]	3m (non-adjustable) 5m (non-adjustable)	Circuit protection	Short-circuit, overload and reverse polarity
Standard target	TD-09 reflector	Response time	< 8.2ms
Light source	Infrared LED (880nm)	Output indicator	Yellow LED
Dimensions	50 mm *50 mm *17 mm	Ambient temperature	-15°C...+55°C
Output	NO/NC(depends on part No.)	Ambient humidity	35-85%RH (non-condensing)
Supply voltage	10...30 VDC	Voltage withstand	1000V/AC 50/60Hz 60s
Target	Opaque object	Insulation resistance	≥50MΩ(500VDC)
Hysteresis range [%/Sr]		Vibration resistance	10...50Hz (0.5mm)
Repeat accuracy [R]	≤5%	Degree of protection	IP64
Load current	≤200mA	Housing material	PC/ABS
Residual voltage	≤2.5V	Connection type	2m PVC cable

Dimensions



Wiring diagram

