

## Plastic square shape photoelectric sensors PTF series



### Features

- ◆ Diffuse reflection working principle;
- ◆ Excellent anti-interference performance
- ◆ High detection accuracy



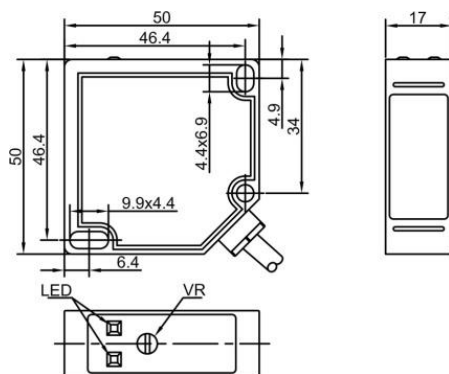
### Part number

Relay output	PTF-BC50SK	PTF-BC100SK
--------------	------------	-------------

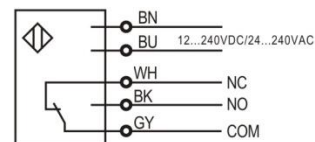
### Technical specifications

Detection type	Diffuse reflection	Consumption current	≤40mA
Rated distance [Sn]	50cm(adjustable)100cm (adjustable)	Circuit protection	.....
Standard target	White card reflection rate 90%	Response time	< 30ms
Light source	Infrared LED (880nm)	Output indicator	Power: Green LED    Output: Yellow LED
Dimensions	50 mm *50 mm *17mm	Ambient temperature	-15°C...+55°C
Output	Relay output	Ambient humidity	35-85%RH (non-condensing)
Supply voltage	24...240VAC/12...240 VDC	Voltage withstand	2000V/AC 50/60Hz 60s
Target	Opaque object	Insulation resistance	≥50MΩ(500VDC)
Hysteresis range [%/Sr]	3...20%	Vibration resistance	10...50Hz (0.5mm)
Repeat accuracy [R]	≤5%	Degree of protection	IP64
Load current	≤3A	Housing material	PC/ABS
Residual voltage	.....	Connection type	2m PVC cable

### Dimensions



### Wiring diagram



Relay output