

Plastic square shape photoelectric sensors **PTL** series


Features

- ◆ Diffuse reflection working principle;
- ◆ Excellent anti-interference performance
- ◆ High detection accuracy

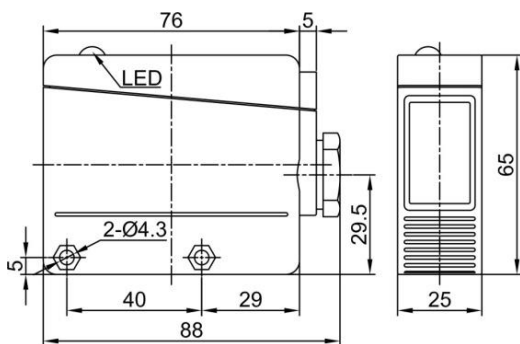
Part number

Relay output	PTL-BC80SKT3-D	PTL-BC200SKT3-D
--------------	----------------	-----------------

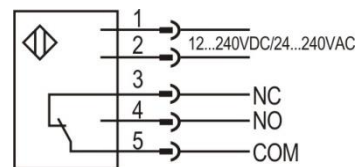
Technical specifications

Detection type	Diffuse reflection	Consumption current	≤35mA
Rated distance [Sn]	80cm(adjustable)200cm (adjustable)	Circuit protection
Standard target	White card reflection rate 90%	Response time	< 30ms
Light source	Infrared LED (880nm)	Output indicator	Power: Green LED Output: Yellow LED
Dimensions	88 mm *65 mm *25mm	Ambient temperature	-15°C...+55°C
Output	Relay output.	Ambient humidity	35-85%RH (non-condensing)
Supply voltage	24...240VAC/12...240VDC	Voltage withstand	2000V/AC 50/60Hz 60s
Target	Opaque object	Insulation resistance	≥50MΩ(500VDC)
Hysteresis range [%/Sr]	3...20%	Vibration resistance	10...50Hz (0.5mm)
Repeat accuracy [R]	≤5%	Degree of protection	IP67
Load current	≤3A	Housing material	PC/ABS
Residual voltage	Connection type	Terminal

Dimensions



Wiring diagram



Relay output