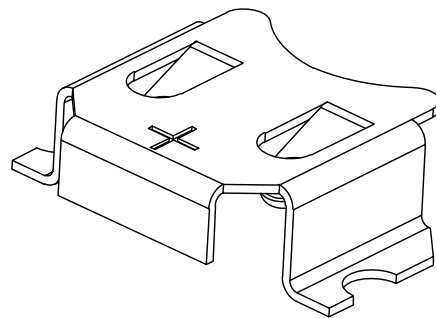
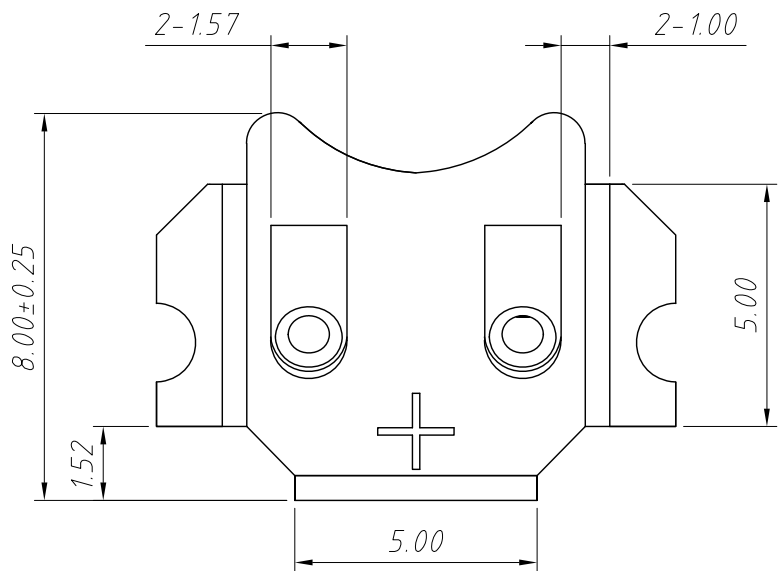


1 RoHS Compliance



Notes:

1:Material:

Phosphor Bronze $T=0.25\text{mm}$, Nickel Plated.

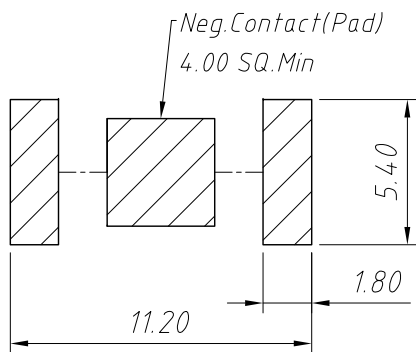
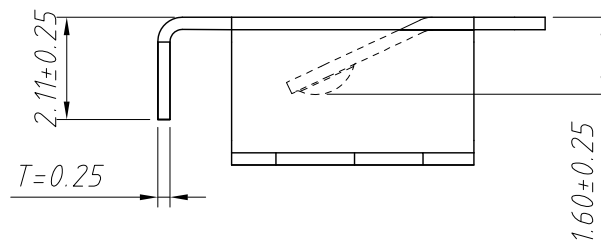
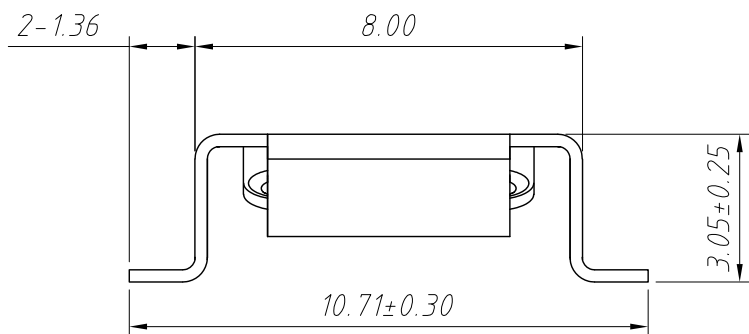
2:Electric:

Dielectric Voltage: 500V AC One Sec Level.

Contact Resistance: 30 mΩ Max.

Insulator Resistance: 100 MΩ Min.

Operating Temperature: $-40^{\circ}\text{C} \sim +85^{\circ}\text{C}$.



Recommended PCB Layout
Tolerance: $\pm 0.05\text{mm}$

ANGLE TOLERANCE	PROJECTION	Description:	ML621 Coin Cell Retainers	
$\pm 3^{\circ}$				
GENERAL TOLERANCE	UNITS	mm	KLS P/N:	KL55-ML621-01
x.x ± 0.30	SHEET SIZE	A4		
x.xx ± 0.20	Draw:	Daniel	2023-02-13	NingBo KLS ELECTRONIC CO.,L TD.
x.xxx ± 0.10	Check:	Daniel	2023-02-13	