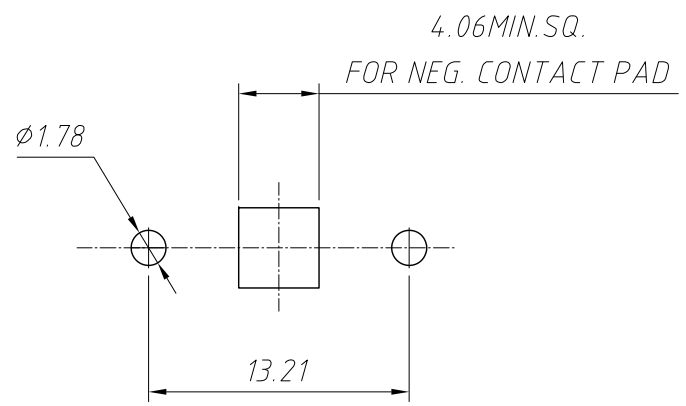
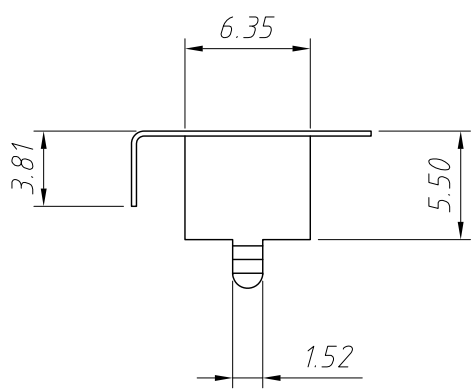
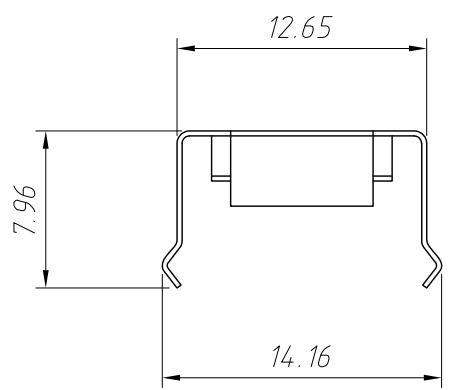
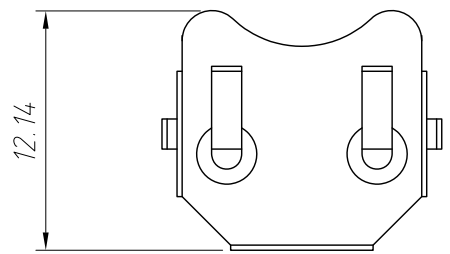


1  
RoHS Compliance



Recommended PCB layout  
Tolerance: ±0.05mm

Notes:

1:Material:

Phosphor Bronze T=0.25mm, Nickel Plated.

2:Electric:

Dielectric Voltage: 500V AC One Sec Level.

Contact Resistance: 30 mΩ Max.

Insulator Resistance: 100 MΩ Min.

Operating Temperature: -40°C ~ +85°C.

ANGLE TOLERANCE	PROJECTION	Description:	LR44 Coin Cell Retainers	
±3°				
GENERAL TOLERANCE	UNITS	mm	KLS P/N:	L-KLS5-LR44-03
x.x ±0.30	SHEET SIZE	A4		
x.xx ±0.20	Draw:	Daniel	2023-02-13	NingBo KLS ELECTRONIC CO.,L TD.
x.xxx ±0.10	Check:	Daniel	2023-02-13	