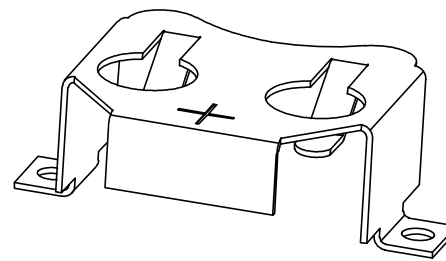
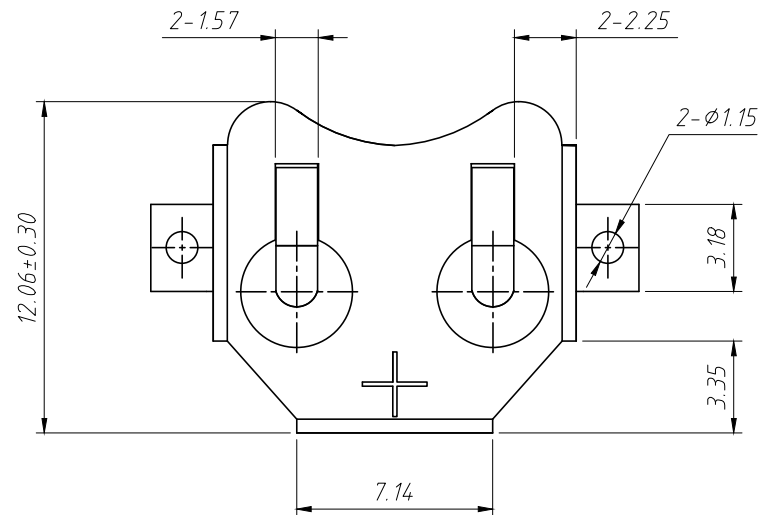


RoHS Compliance



Notes:

1:Material:

Phosphor Bronze T=0.25mm, Nickel Plated.

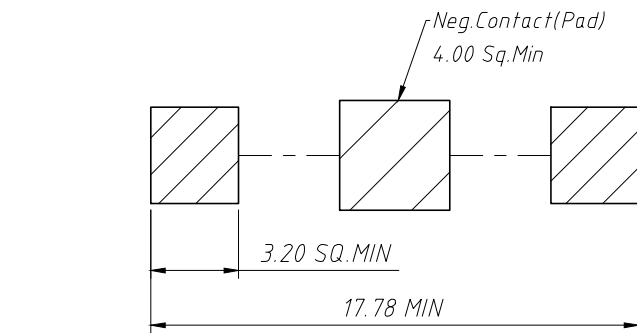
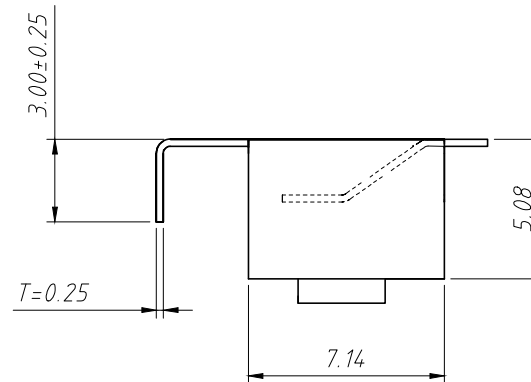
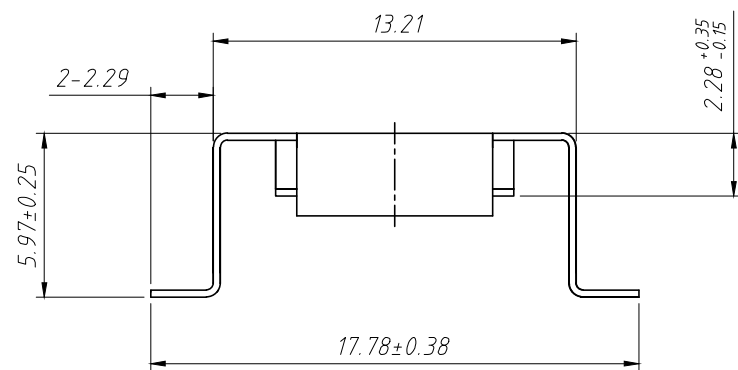
2:Electric:

Dielectric Voltage:500V AC One Sec Level.

Contact Resistance:30 mΩ Max.

Insulator Resistance:100 MΩ Min.

Operating Temperature:-40°C ~ +85°C.



Recommended PCB Layout  
Tolerance:±0.05mm

ANGLE TOLERANCE	PROJECTION	Description:		
±3°		LR44 Coin Cell Retainers		
GENERAL TOLERANCE	UNITS	mm	KLS P/N:	L-KLS5-LR44-02
x.x ±0.30	SHEET SIZE	A4	NingBo KLS ELECTRONIC CO.,LTD.	
x.xx ±0.20	Draw:	Daniel		2023-02-13
x.xxx ±0.10	Check:	Daniel		2023-02-13