

Plastic square shape photoelectric sensors **PTE** series


Features

- ◆ Polarized reflection working principle;
- ◆ Suitable for detecting transparent or high reflective target;
- ◆ High detection accuracy



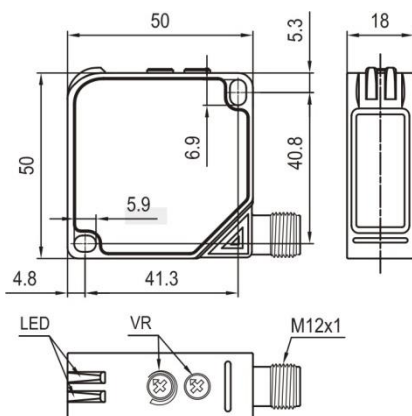
Part number

NPN+PNP NO/NC PTE-PM5DFB-E2

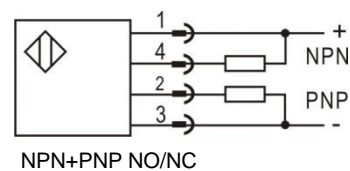
Technical specifications

Detection type	Polarized reflection	Consumption current	≤40mA
Rated distance [Sn]	5m (adjustable)	Circuit protection	Short-circuit, overload and reverse polarity
Standard target	TD-09 reflector	Response time	< 2ms
Light source	Red LED (650nm)	Output indicator	Yellow LED
Dimensions	50mm *50mm *18mm	Ambient temperature	-25°C...+55°C
Output	NO/NC (Select by L/D potentiometer)	Ambient humidity	35-85%RH (non-condensing)
Supply voltage	10...30 VDC	Voltage withstand	1000V/AC 50/60Hz 60s
Target	Transparent, semi-transparent, Opaque object	Insulation resistance	≥50MΩ(500VDC)
Repeat accuracy [R]	≤5%	Vibration resistance	10...50Hz (0.5mm)
Load current	≤200mA	Degree of protection	IP67
Residual voltage	≤2.5V	Housing material	PC/ABS
		Connection type	M12 Connector

Dimensions



Wiring diagram



Plastic square shape photoelectric sensors **PTE** series



Features

- ◆ Polarized reflection working principle;
- ◆ Suitable for detecting transparent or high reflective target;
- ◆ High detection accuracy

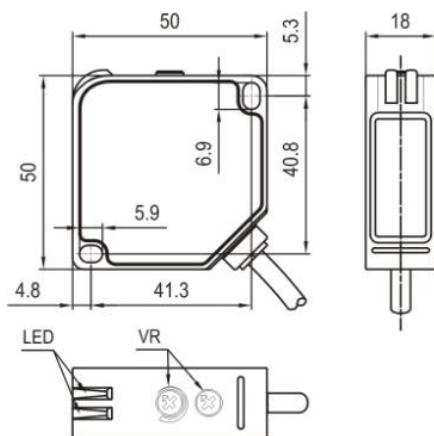
Part number

NPN+PNP NO/NC PTE-PM5DFB

Technical specifications

Detection type	Polarized reflection	Consumption current	≤40mA
Rated distance [Sn]	5m (adjustable)	Circuit protection	Short-circuit, overload and reverse polarity
Standard target	TD-09 reflector	Response time	< 2ms
Light source	Red LED (650nm)	Output indicator	Yellow LED
Dimensions	50mm *50mm *18mm	Ambient temperature	-25°C...+55°C
Output	NO/NC (Select by L/D potentiometer)	Ambient humidity	35-85%RH (non-condensing)
Supply voltage	10...30 VDC	Voltage withstand	1000V/AC 50/60Hz 60s
Target	Transparent, semi-transparent, Opaque object	Insulation resistance	≥50MΩ(500VDC)
Repeat accuracy [R]	≤5%	Vibration resistance	10...50Hz (0.5mm)
Load current	≤200mA	Degree of protection	IP67
Residual voltage	≤2.5V	Housing material	PC/ABS
		Connection type	2m PVC cable

Dimensions



Wiring diagram

