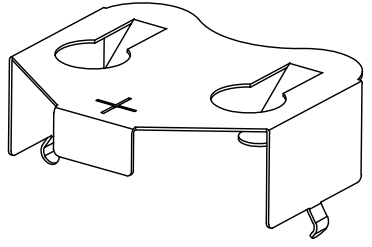
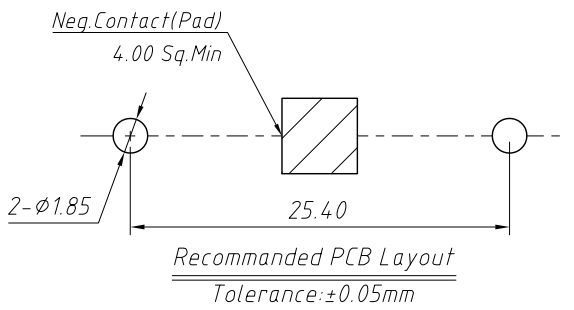
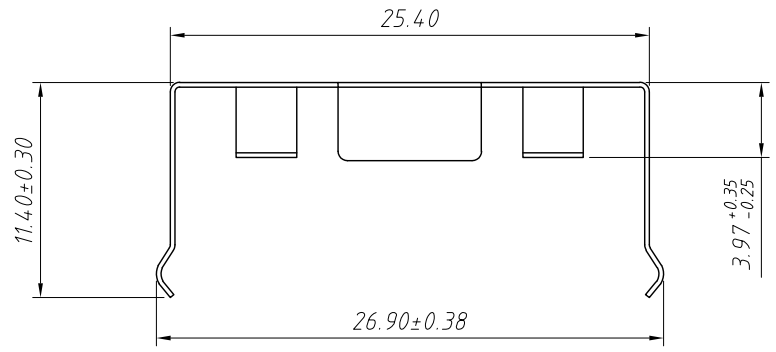
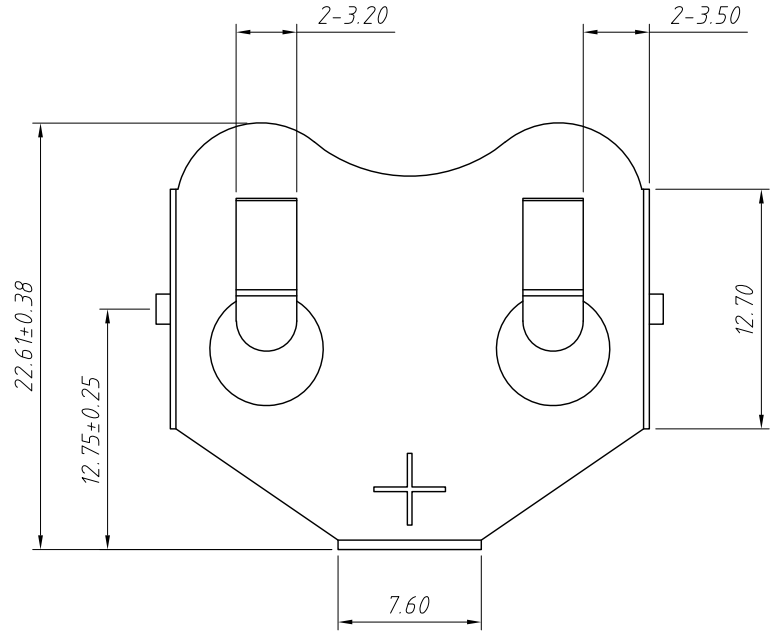
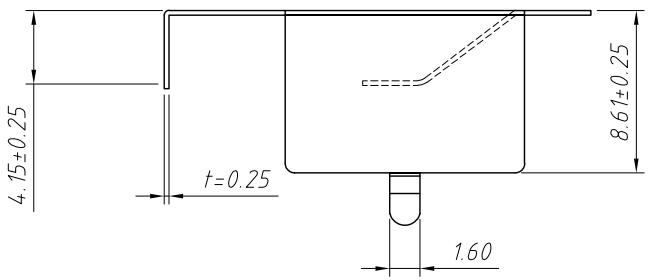


1  
RoHS Compliance



Notes:  
 1:Material:  
 Phosphor Bronze T=0.25mm, Nickel Plated.  
 2:Electric:  
 Dielectric Voltage: 500V AC One Sec Level.  
 Contact Resistance: 30 mΩ Max.  
 Insulator Resistance: 100 MΩ Min.  
 Operating Temperature: -40°C ~ +85°C.



ANGLE TOLERANCE	PROJECTION	Description:	
±3°		CR2477 Coin Cell Retainers	
GENERAL TOLERANCE	UNITS	mm	KLS P/N:
x.x ±0.30	SHEET SIZE	A4	L-KLS5-CR2477-07
x.xx ±0.20	Draw:	Daniel	2023-02-27
x.xxx ±0.10	Check:	Daniel	2023-02-27

