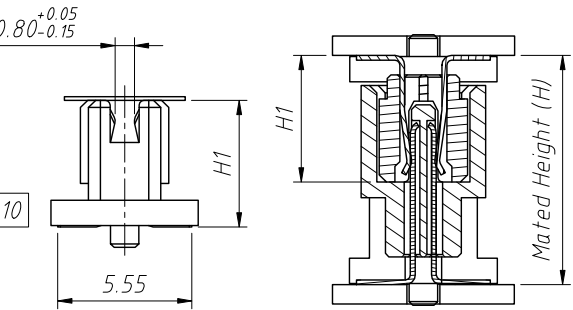


Pins	Dimension			
	A	B	C	D
20	13.90	9.00	12.22	12.40
30	18.90	14.00	17.22	17.40
40	23.90	19.00	22.22	22.40
50	28.90	24.00	27.22	27.40
60	33.90	29.00	32.22	32.40
64	35.90	31.00	34.22	34.40
70	38.90	34.00	37.22	37.40
80	43.90	39.00	42.22	42.40
84	45.90	41.00	44.22	44.40
90	48.90	44.00	47.22	47.40
100	53.90	49.00	52.22	52.40
110	58.90	54.00	57.22	57.40
120	63.90	59.00	62.22	62.40
Socket Height		Mating Height (H)		
Dim H1		6.35	8.35	
5.35		7.65	9.65	
10.35		12.65	14.65	

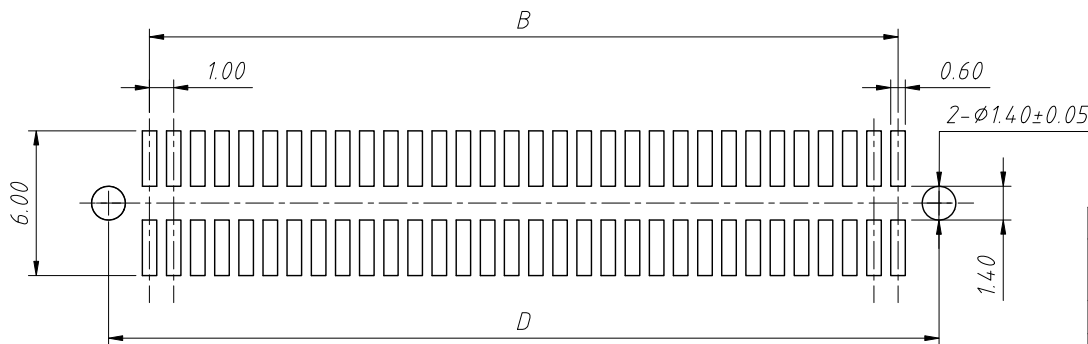
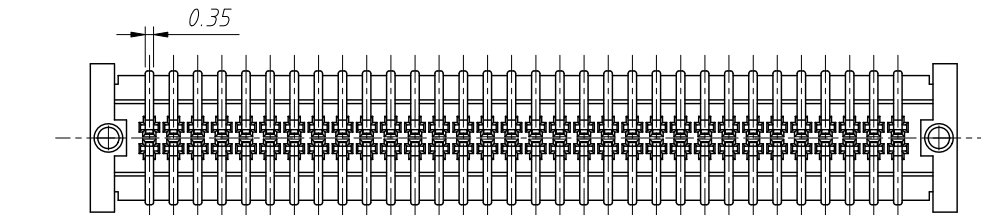
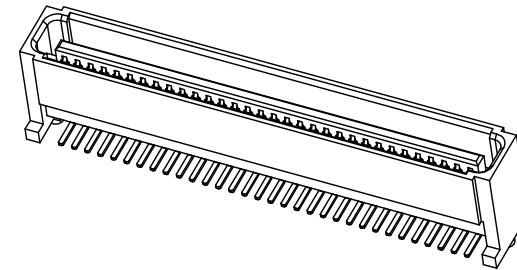
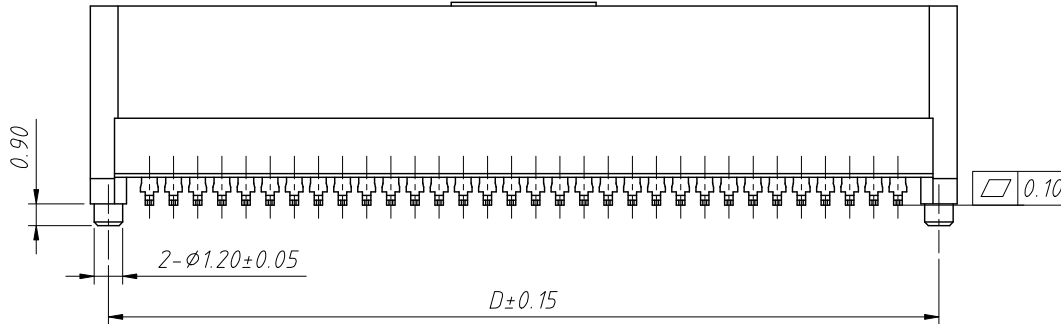
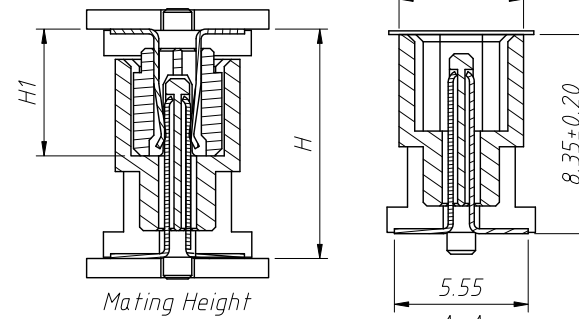
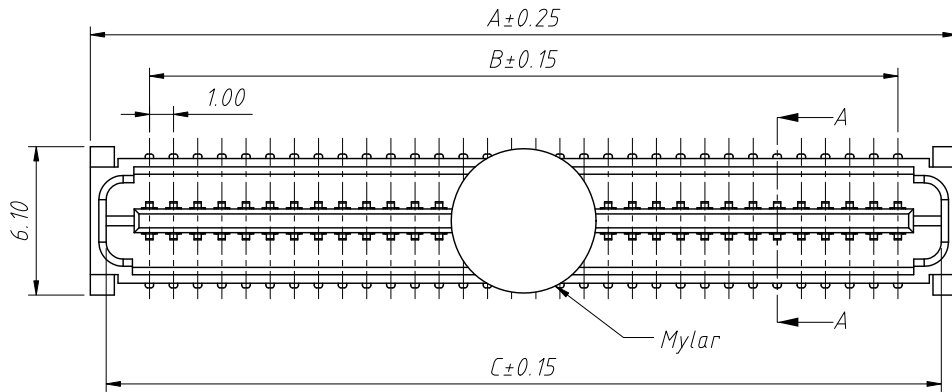


ANGLE TOLERANCE	PROJECTION	Description:	
$\pm 3^{\circ}$		1.00mm Board To Board Socket	
GENERAL TOLERANCE	UNITS	mm	KLS P/N:
x.x	± 0.30	SHEET SIZE	A4
x.xx	± 0.20	Draw:	Daniel 2023-04-07
x.xxx	± 0.10	Check:	Daniel 2023-04-07

L-KLS1-B0210-535FXX-T3R

NingBo KLS ELECTRONIC CO.,LTD.

RoHS Compliance



Recommended PCB Board Pattern (Top View)

Pins	Dimension			
	A	B	C	D
20	13.90	9.00	12.58	12.40
30	18.90	14.00	17.58	17.40
40	23.90	19.00	22.58	22.40
50	28.90	24.00	27.58	27.40
60	33.90	29.00	32.58	32.40
64	35.90	31.00	34.58	34.40
70	38.90	34.00	37.58	37.40
80	43.90	39.00	42.58	42.40
84	45.90	41.00	44.58	44.40
90	48.90	44.00	47.58	47.40
100	53.90	49.00	52.58	52.40
110	58.90	54.00	57.58	57.40
120	63.90	59.00	62.58	62.40
Socket Height		Mating Height		
Dim H1		Dim H		
5.35		9.65		
10.35		14.65		

Material;
 Insulator: High-Temp. Plastic, LCP UL94V-0
 Color: Natural
 Contact: Phosphor Bronze, Gold Plated.

- Specification:
- Contact resistance: 30mΩ Max.
 - Insulation resistance: 1000MΩ Min
 - Rated voltage: 250V AC DC.
 - Rated current: 1.0A AC DC.
 - Withstand Voltage: 250V AC/Minute.
 - Temperature Range: -40°C ~ + 85°C.

Order Information:

L-KLS1-B0210-835 M XXP-T3R-D

- L: RoHS
- Board To Board
- Pitch-1.00mm
- Height-8.35mm
- Type: M-Male
- XX-No. Of Contact
- Installation mode:
- T=SMD Without Post,
- T3=SMD With Post
- Packing: R=Reel T=Tube
- D-With Locating Plate

ANGLE TOLERANCE	PROJECTION	Description:
±3°		1.00mm Board To Board Plug
GENERAL TOLERANCE	UNITS	mm
x.x ±0.30	SHEET SIZE	A4
x.xx ±0.20	Draw:	Daniel 2020-11-11
x.xxx ±0.10	Check:	Daniel 2020-11-11
KLS P/N:		L-KLS1-B0210-835MXXP-T3R-D
KLS electronic		NingBo KLS ELECTRONIC CO.,LTD.