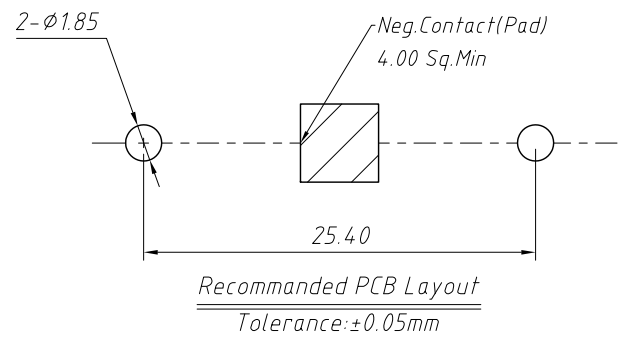
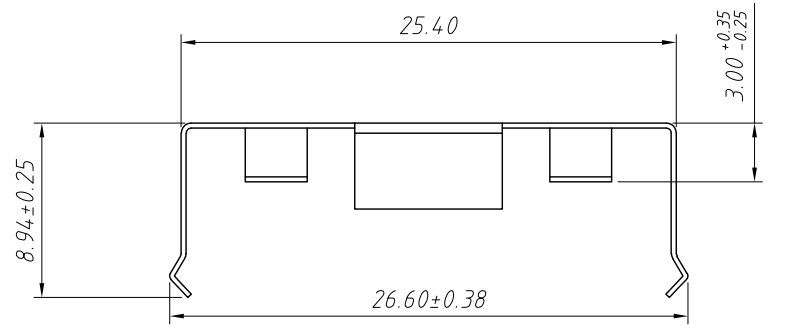
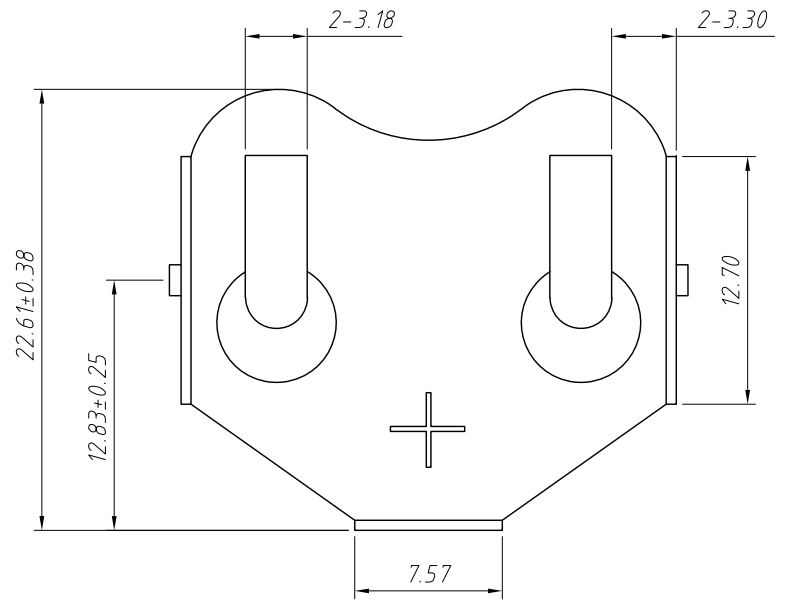
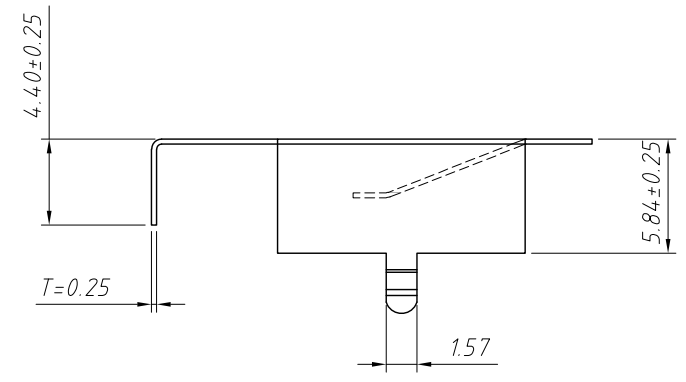
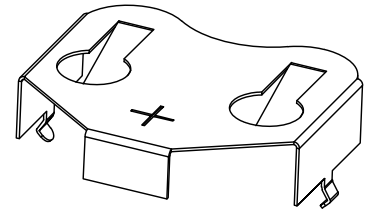


1  
RoHS Compliance



Notes:  
 1:Material:  
 Phosphor Bronze T=0.25mm, Nickel Plated.  
 2:Electric:  
 Dielectric Voltage:500V AC One Sec Level.  
 Contact Resistance:30 mΩ Max.  
 Insulator Resistance:100 MΩ Min.  
 Operating Temperature:-40°C ~ +85°C.



ANGLE TOLERANCE	PROJECTION	Description:	CR2450 Coin Cell Retainers	
±3°				
GENERAL TOLERANCE	UNITS	mm	KLS P/N:	L-KLS5-CR2450-10
x.x ±0.30	SHEET SIZE	A4		
x.xx ±0.20	Draw:	Daniel	2023-02-24	NingBo KLS ELECTRONIC CO.,L TD.
x.xxx ±0.10	Check:	Daniel	2023-02-24	